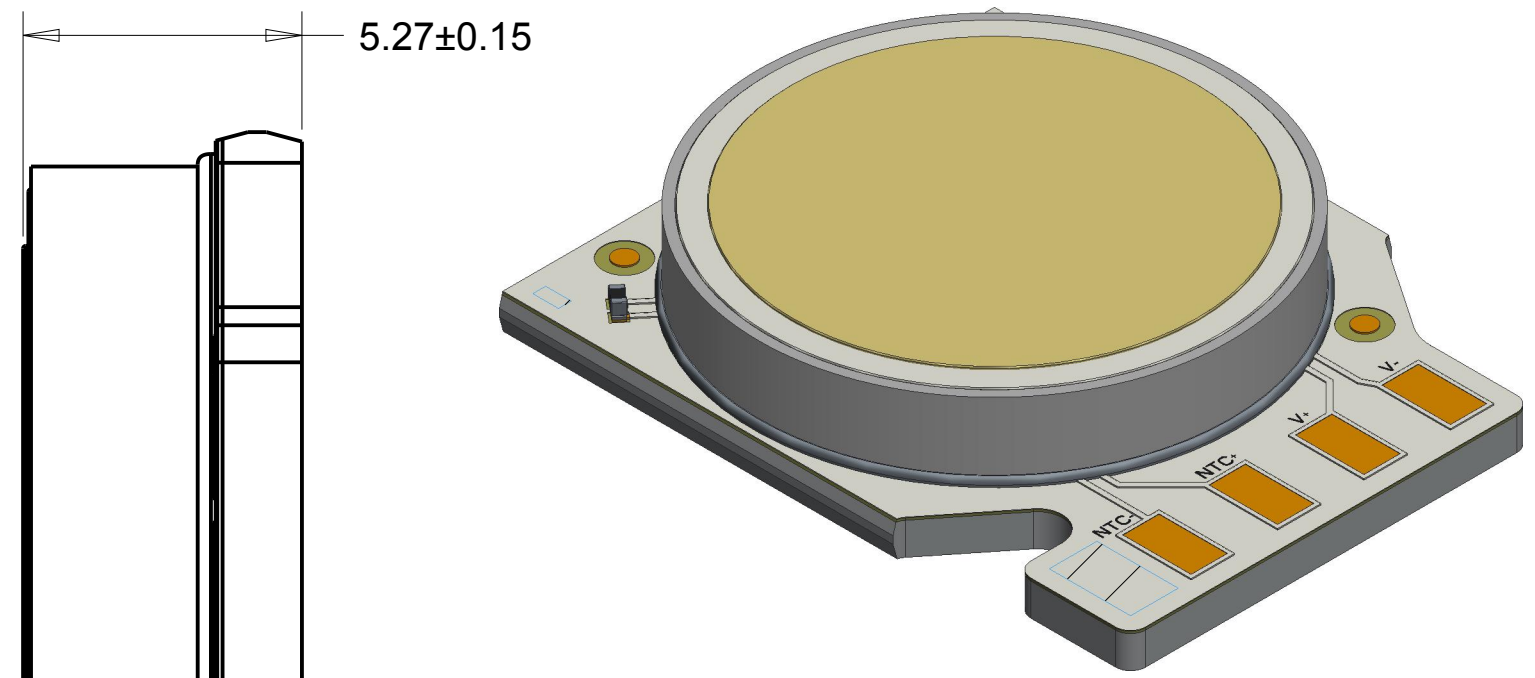
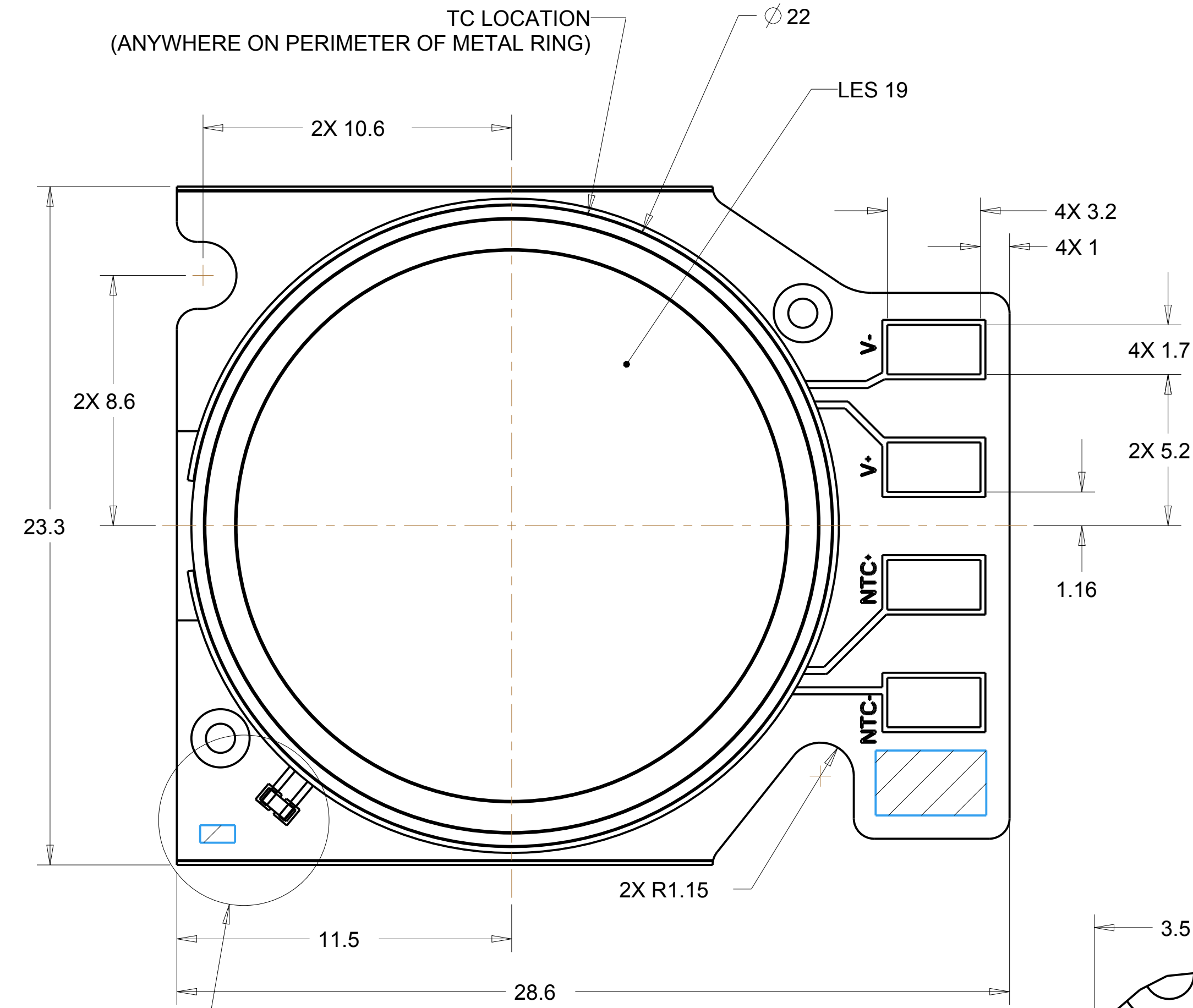
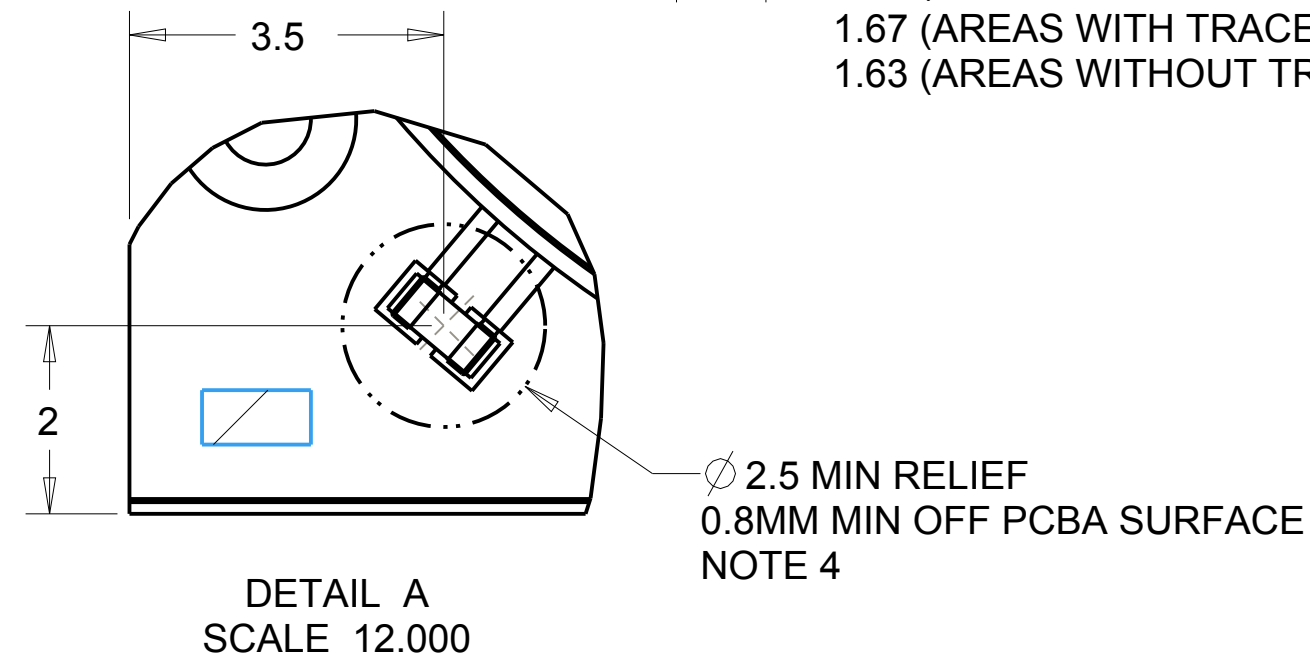


ZONE	REV	DESCRIPTION	ECN	DATE	APVD
	1	PRELIMINARY RELEASE		20131226	JY
	2	INITIAL RELEASE		12/02/13	GE
	3	SM UPDATED WITH TRACES, THICKNESSES UPDATED		04.03.14	GE
	4	UPDATED NOTES, P/N UPDATED TO 5005.... CORRECTED RING OD TO 22		02.05.15	GE



1.69 (AREAS WITH SOLDERMASK AND TRACES)  
 1.67 (AREAS WITH TRACE AND NO SOLDERMASK)  
 1.63 (AREAS WITHOUT TRACES)



- 4. DIMENSIONS SUBJECT TO CHANGE WITHOUT NOTICE
  - 3. DIMENSIONS APPLY FOR FLUX LEVELS 400LM - 5000LM
  - 2. A RELIEF SHALL BE MADE TO ACCOMODATE SURFACE MOUNT NTC AS SHOWN
  - 1. 3D CAD MODEL SERVES AS PRIMARY REFERENCE TO PART GEOMETRY
- NOTES: UNLESS OTHERWISE SPECIFIED

<b>-CONFIDENTIAL-</b>		DATE: 02/22/2014		<b>XICATO INC</b>	
THIS DOCUMENT IS AND CONTAINS CONFIDENTIAL AND TRADE SECRET INFORMATION OF XICATO INC.		DSR: JY / GE			
THIS DOCUMENT IS LOANED FOR LIMITED PURPOSES ONLY AND REMAINS THE PROPERTY OF XICATO INC. IT IS TO BE RETURNED UPON REQUEST AND IN ALL EVENTS UPON COMPLETION OF PURPOSE OF THE LOAN.		REL.:		<b>XCA MODULE</b>	
NEITHER IT NOR THE INFORMATION IT CONTAINS MAY BE REPRODUCED, USED, OR DISCLOSED TO PERSONS NOT HAVING A NEED TO KNOW CONSISTENT WITH THE PURPOSE OF THE LOAN WITHOUT WRITTEN CONSENT OF XICATO INC.		PROD.:			
UNLESS OTHERWISE SPECIFIED, DIMENSIONS ARE IN MILLIMETERS. STANDARD TOLERANCES ARE:  0-10± 0.1 10-50± 0.15 50-100± 0.20 100+± 0.25 ANGLES ±.5°		ENGR.:		TITLE	
		CHKD:		DWG SIZE	
		CHKD:		PART NUMBER	
		SCALE: 7.000		<b>5005-00X0-2019</b>	
				REV. 4 SHEET 1 OF 1	