














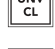






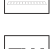





## LEGEND

	4-year warranty		Non-Anodized
	Restriction of Hazardous Substance		Silver Anodized
	Recessed		Black Anodized
	Bendable		White
	Closet-Rated		Focusing Lens with 100% light transmission
	IP22		Universal Clear Pro with 91% light transmission
	Static White		Universal Frosted Pro with 80% light transmission
	High Density		Universal Clear with 85% light transmission
	Full Spectrum		Universal Frosted with 70% light transmission
	Side Emitting		Extreme Clear with 89% light transmission
	Ultra Slim		Extreme Frosted with 70% light transmission
	Dim to Warm		In-Ground Frosted with 58% light transmission
	Tunable White		Ultra Slim Frosted with 70% light transmission

\*Most Xicato Channels are IP65 ready with proper sealant applied around the end caps to completely seal the XFL inside the channel.

Xicato designs and delivers one of the broadest portfolio spot and linear light sources and electronics that enable architects, designers and building managers to create beautiful, smart spaces in which people love to live and work. With thousands of installations around the globe, Xicato continues to be a leading supplier of high quality lighting solutions. Xicato is defining the future of intelligent light sources by integrating electronics, software and connectivity. Founded in 2007, Xicato has offices in China, Europe and the U.S., with it's headquarters based in Silicon Valley.



See legend on first page

## Product Description

- Mounting to 16 mm / 0.63" drywall boards
- No collision with the ceiling structure
- Stable mounting to a suspended ceiling`
- Invisible aluminum elements

## Finish

Non anodized (raw) **NA**

## XCC-L Lenses\*



XCC-L-PC-NL

## XCC-E End Caps\*

XCC-E-SR14-NA-NC-STD

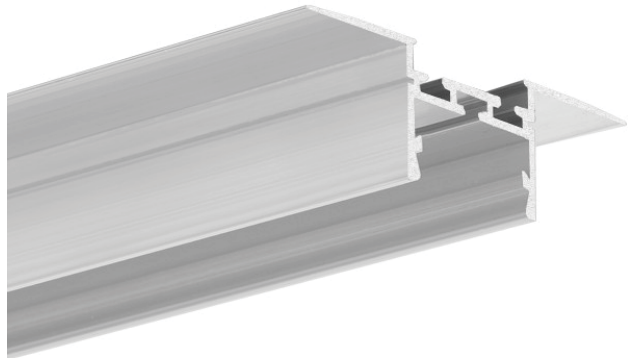
## Internal Channel Dimensions

Height: <18mm  
Width for LED: 24mm

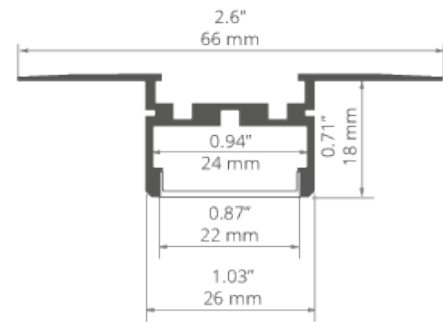
## Compatible XFL Products



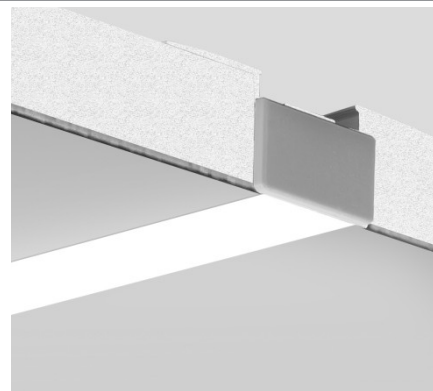
## Product Image



## Technical Drawing



## As Installed



## SKU Information

Product	Collection	Name Code	Surface Code	Length
XCC	C	DWC	NA	1
				2

\*For more detailed information please see Compatible Accessories guide

## Technical Specification

### Application:

- Main, decorative and functional lighting
- Designed to be mounted to 16mm drywall boards with no ceiling structure collision.
- Stable mounting to a suspended ceiling with invisible aluminum elements.

### Mounting:

- In drywall, with screws
- Can be easily connected into runs
- The cover is cut to the length of the extrusion.

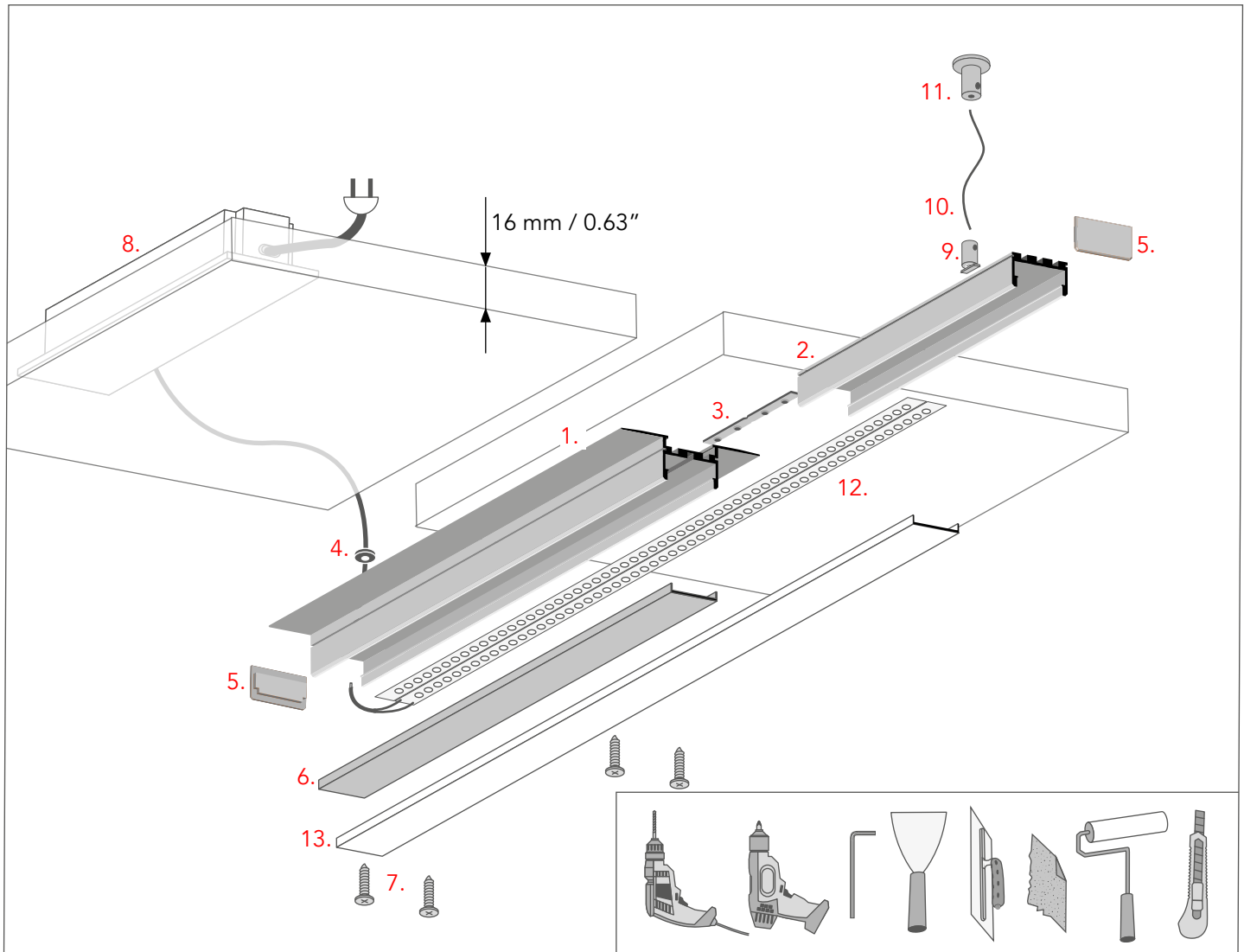
### Additional information:

- Smooth transition from a recessed into a suspended lighting fixture possible.

## Note:

Turn off LED lights during peak day light hours in outdoor applications to avoid excessive heat buildup which will result in diminished LED life.

## Mounting Instructions



1. XCC-C-DWC-NA: Drywall Ceiling
2. XCC-C-SR14: Shallow Rectangle 14
3. Connector \*
4. Gland \*
5. End cap \*
6. Protective insert \*
7. Drywall screw
8. Power supply 24V \*
9. Fastener \*

10. Steel wire \*
11. Ceiling fastener \*
12. LED tape \*
13. Cover \*

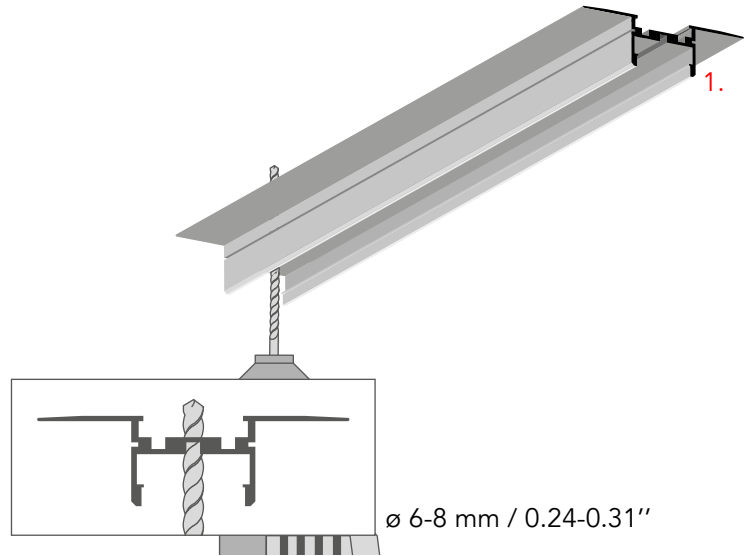
### NOTE:

- All LED tapes must be connected to a 24 V power supply.
- Not all possible mounting procedures are presented here.
- Drawings of extrusions and accessories in these instructions are simplified and only approximate the actual shapes.

## Mounting Instructions (Continued)

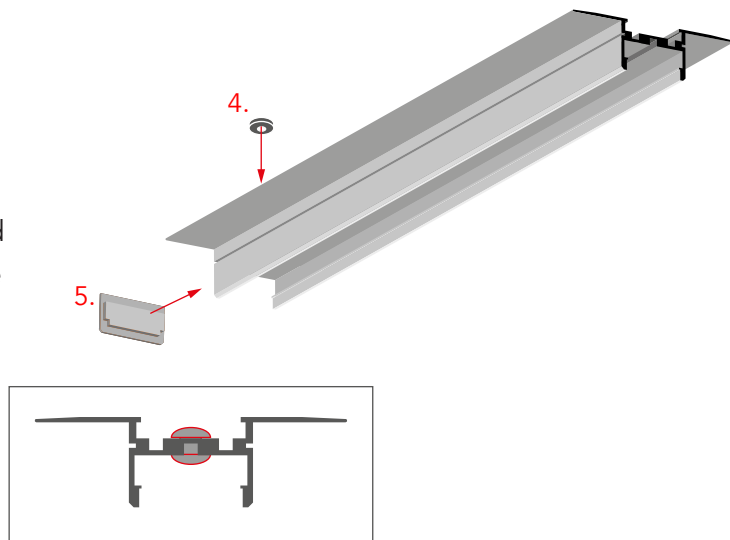
1

Drill a hole in the XCC-C-DWC channel for the power cable



2

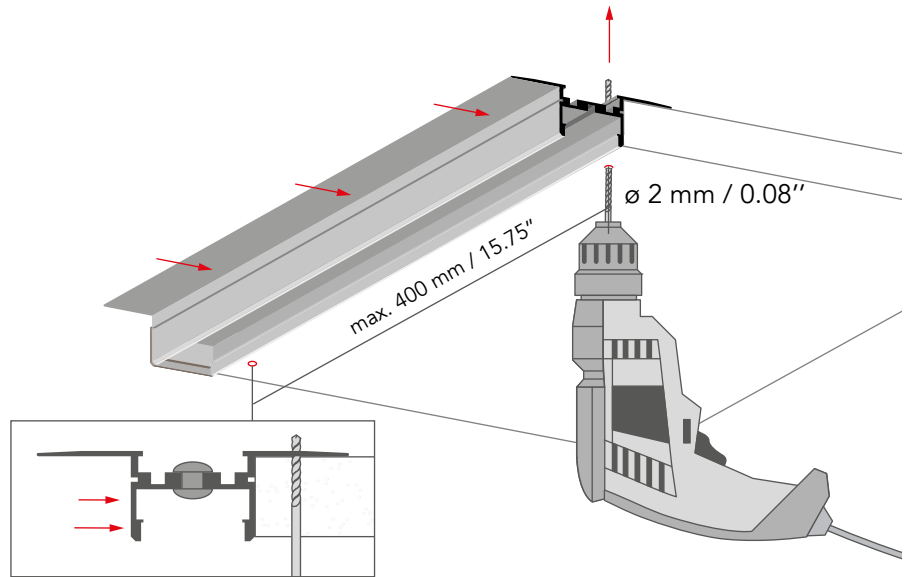
Attach the end cap (5) to the channel and install the gland (4) in the pre-drilled hole



## Mounting Instructions (Continued)

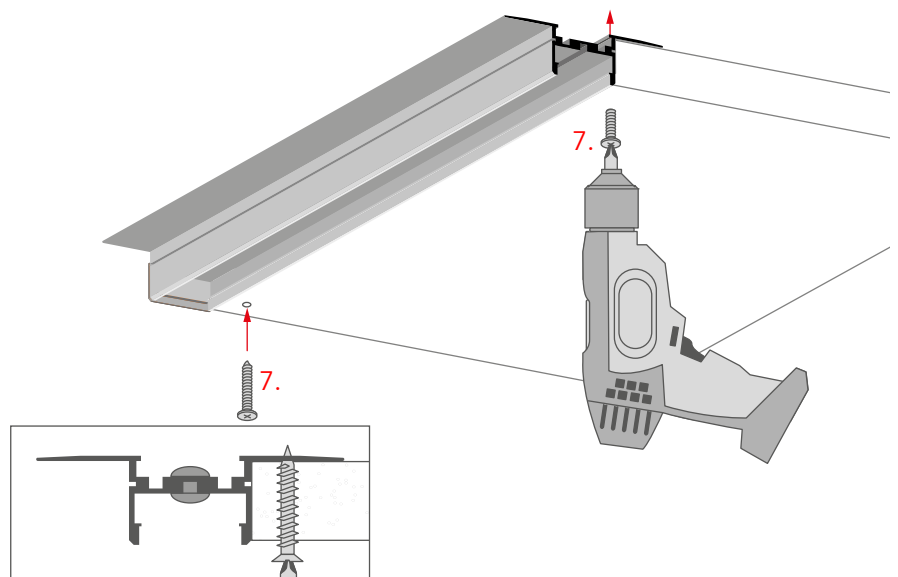
3

- Place the channel on the edge of the drywall board and drill holes through the board and the channel's flange
- The maximum distance between the holes is 400mm / 15.75"



4

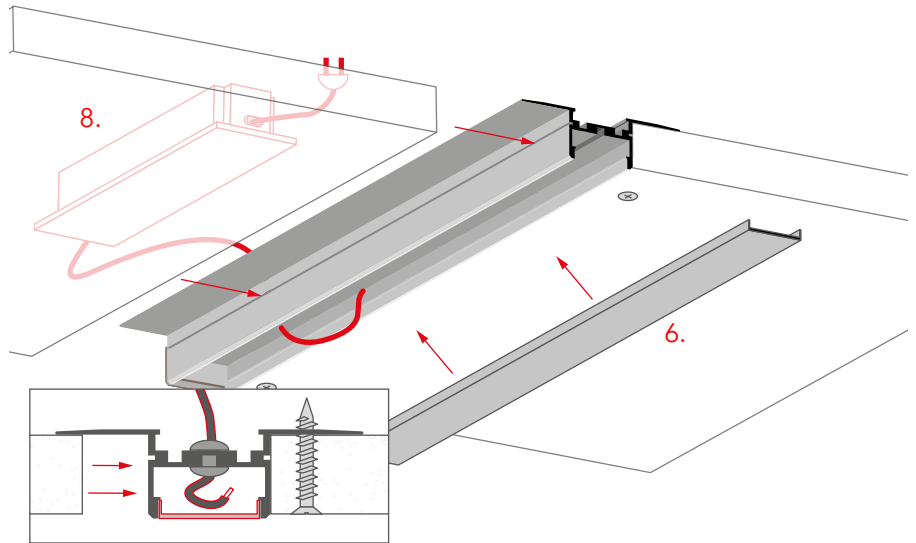
Insert the drywall screws (7) in the pre-drilled holes and screw the channel flange to the board



## Mounting Instructions (Continued)

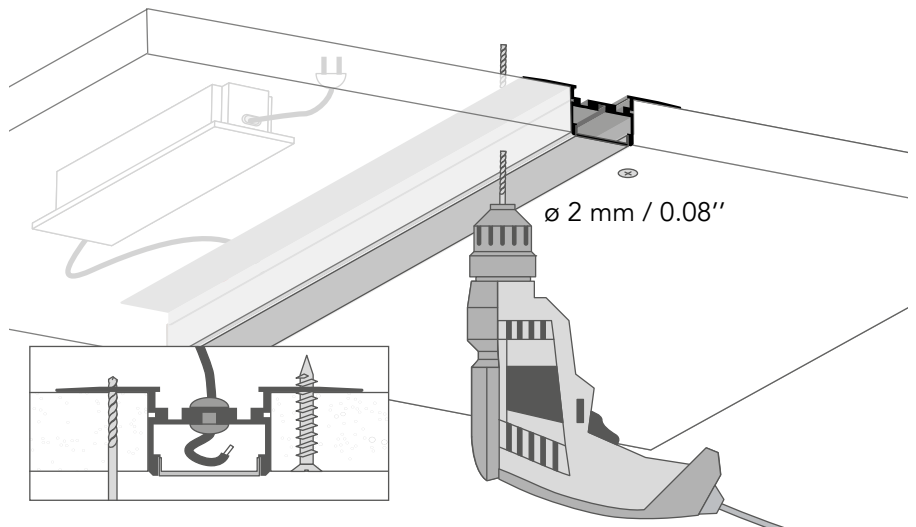
5

- Route the cable from the power supply (8) through the gland
- Install the protective insert (6) in the profile
- Mount the second board.



6

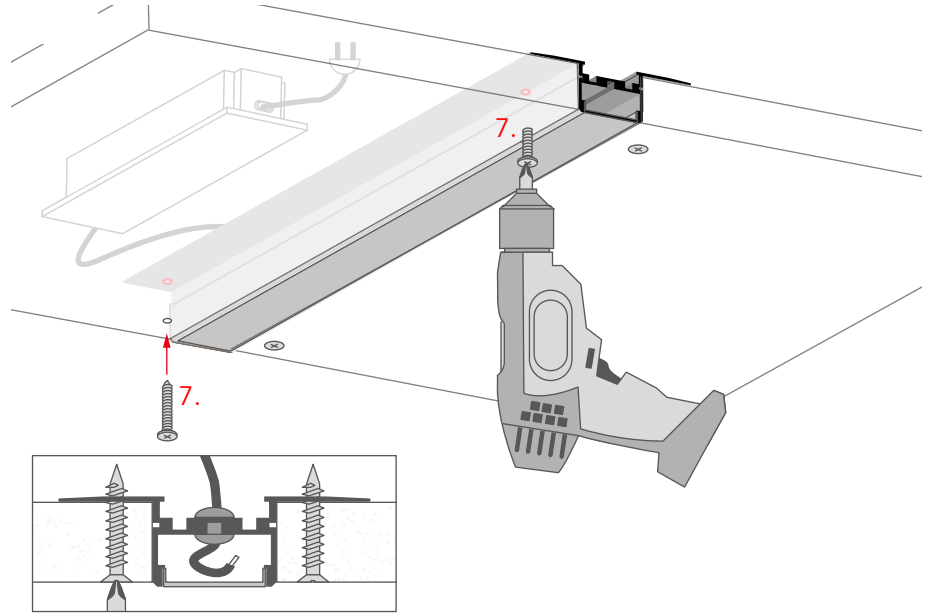
Drill holes in the second board and the channel's flange



## Mounting Instructions (Continued)

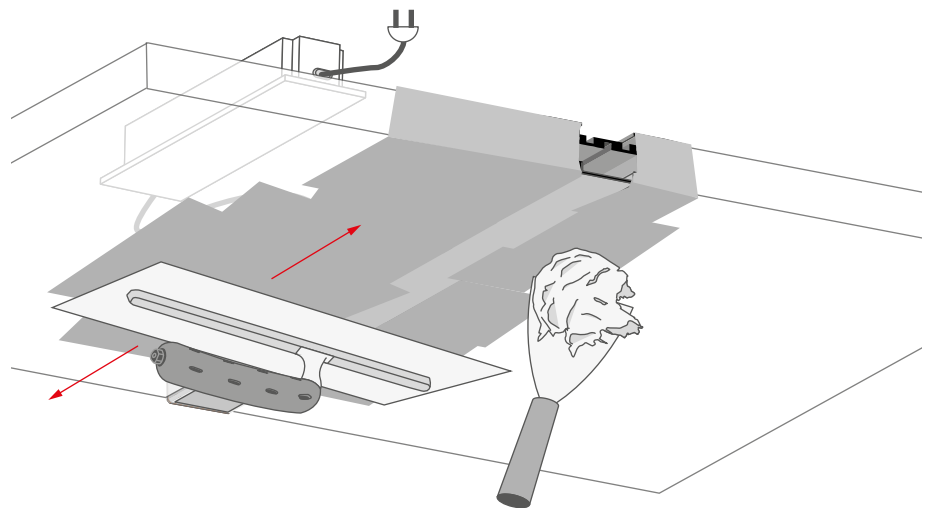
7

Insert the drywall screws (7) in the newly drilled holes and screw the second flange of the channel to the board.



8

- Apply plaster
- The protective insert keeps the inside of the profile clean
- Make the surface even.

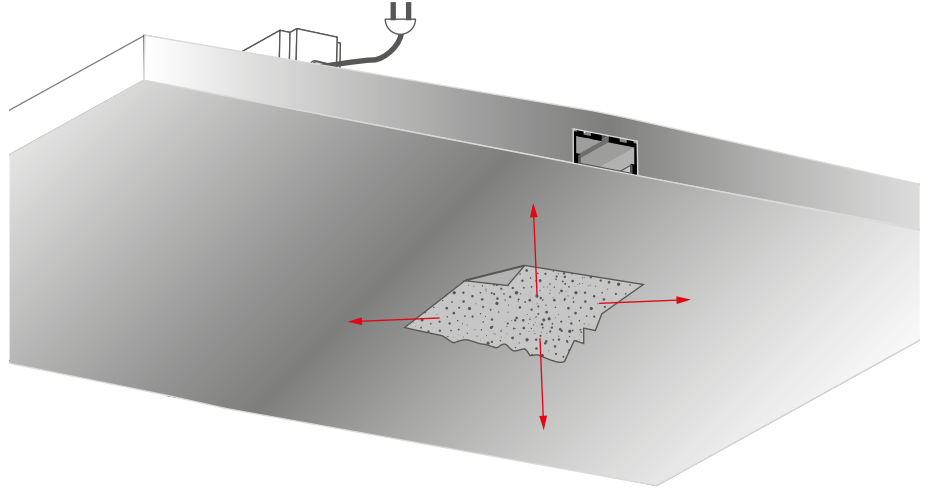




## Mounting Instructions (Continued)

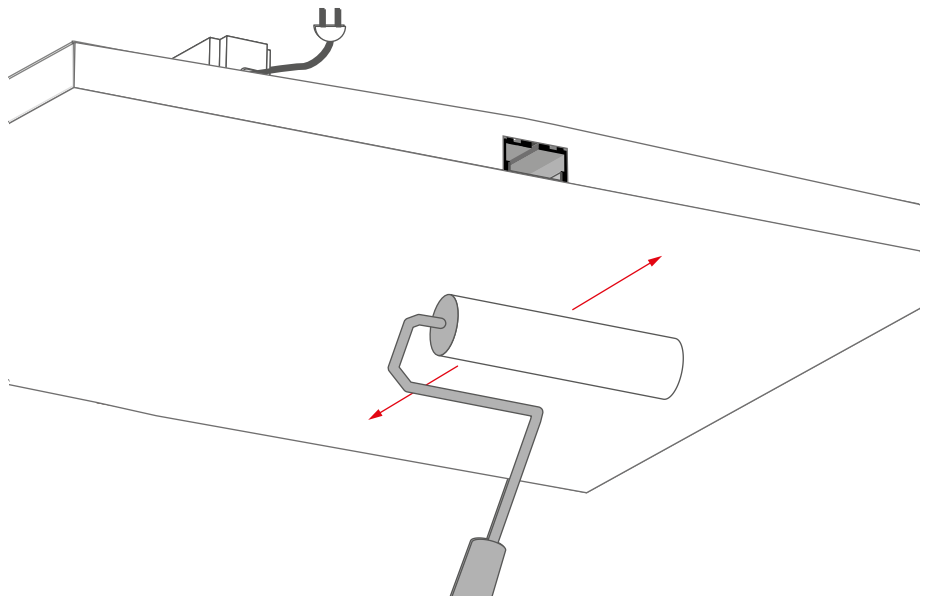
9

After the plaster has dried, sand the surface with sandpaper.



10

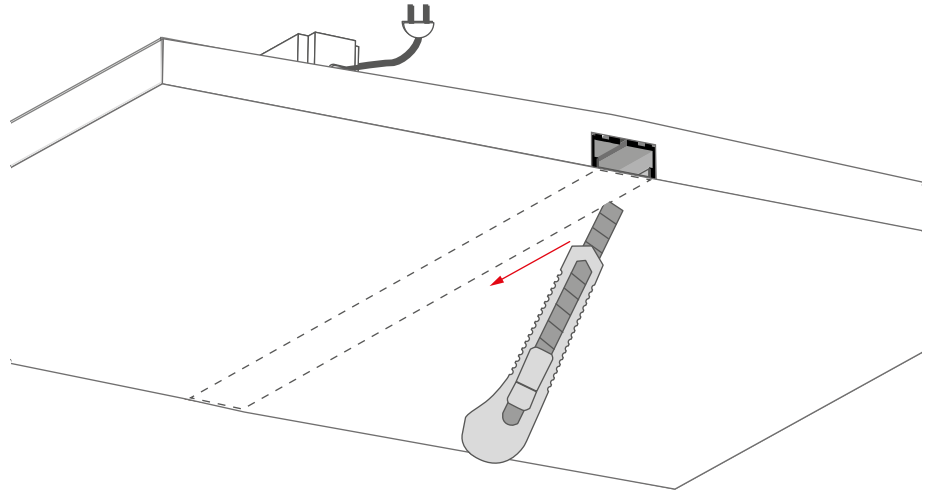
Paint the surface.



## Mounting Instructions (Continued)

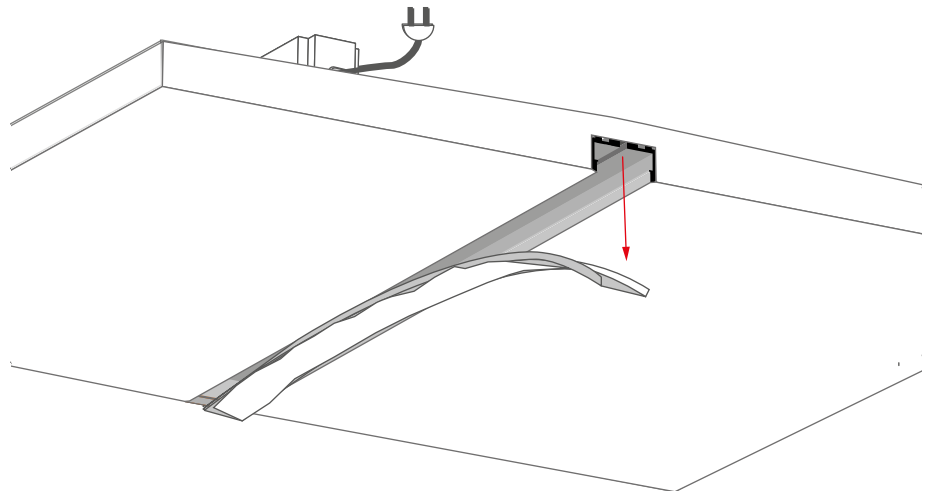
11

Cut layers of paint and plaster at the junction of the aluminum edge of the channel and the protective insert



12

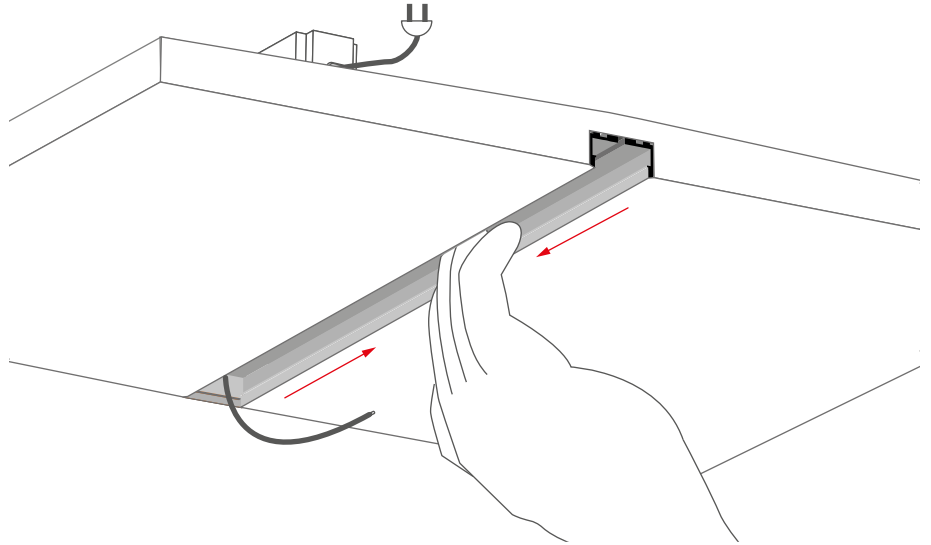
Gently remove the protective insert.



## Mounting Instructions (Continued)

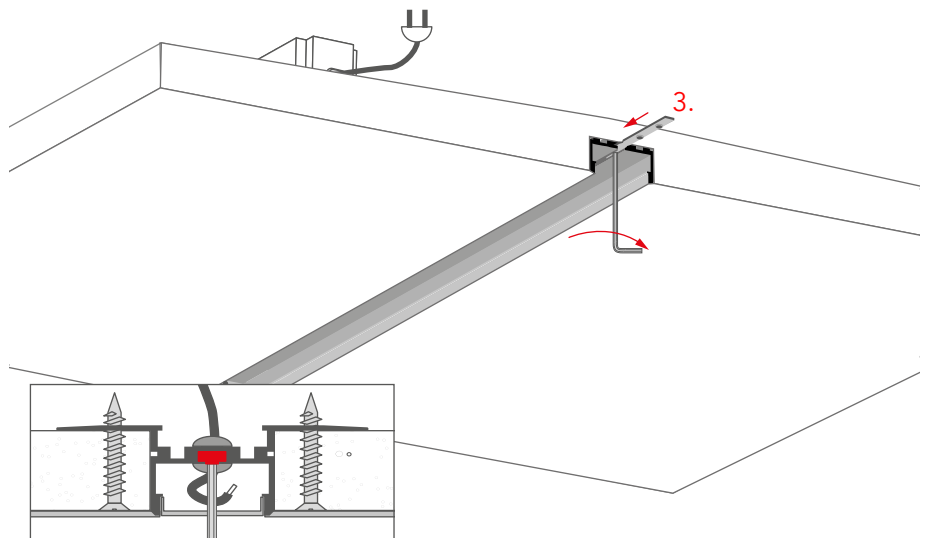
13

- Smooth the edges of the channel
- Allow the power cable to extend from inside the profile



14

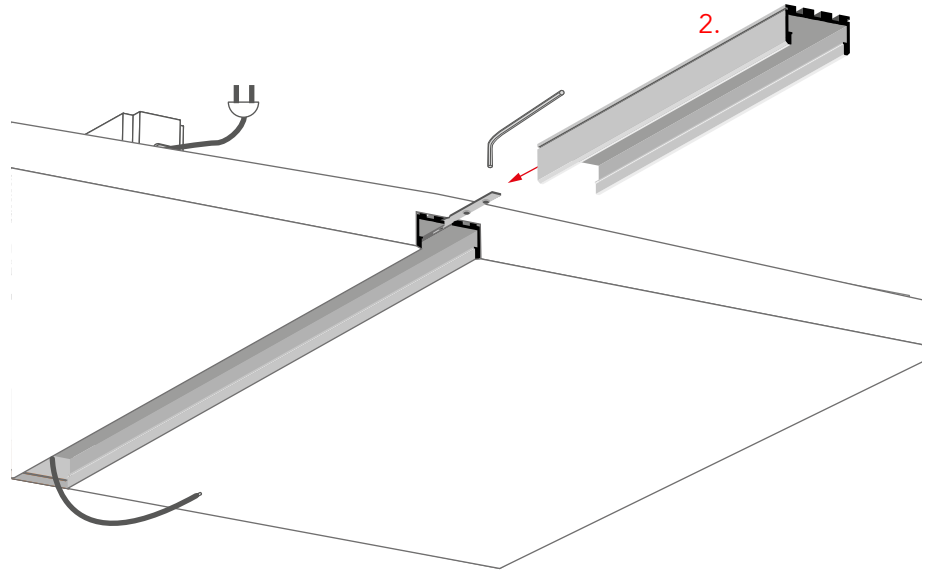
Insert the connector (3) into the channel inside the profile and tighten the locking bolts with an Allen key.



## Mounting Instructions (Continued)

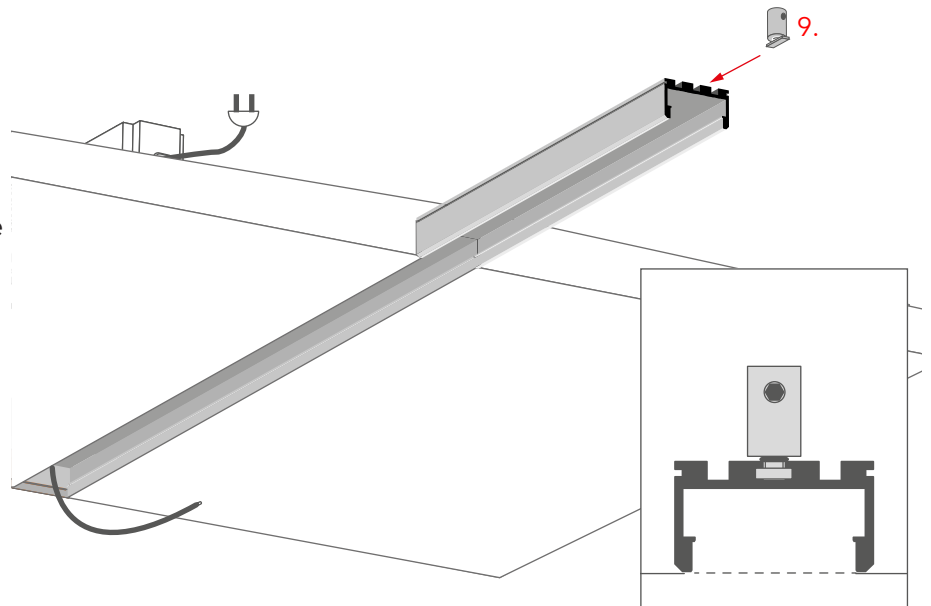
1

- Slide the internal channel (2) onto the protruding part of the connector
- Finally tighten the connector screws with the Allen key.



2

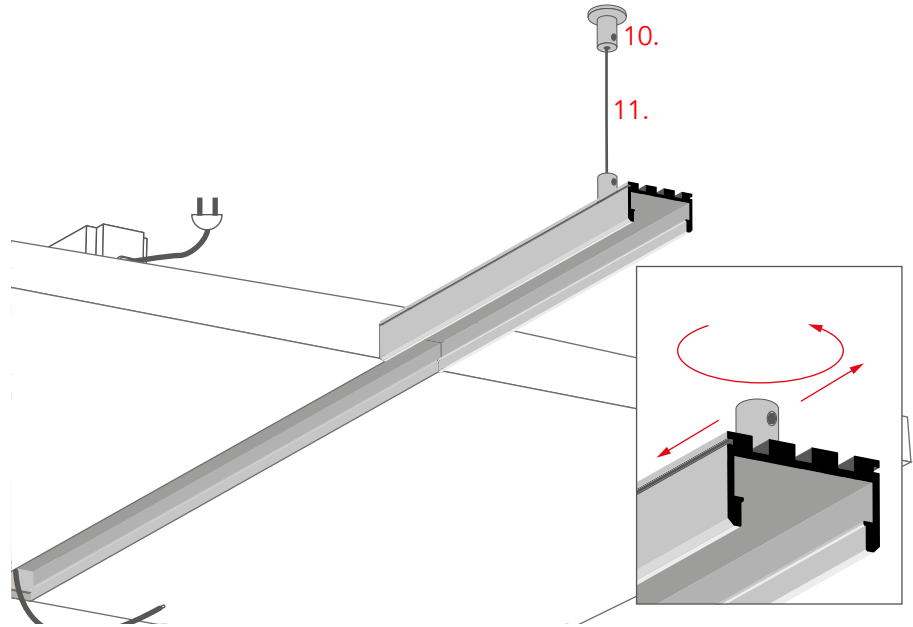
Insert the fastener (9) into the top of the channel



## Mounting Instructions (Continued)

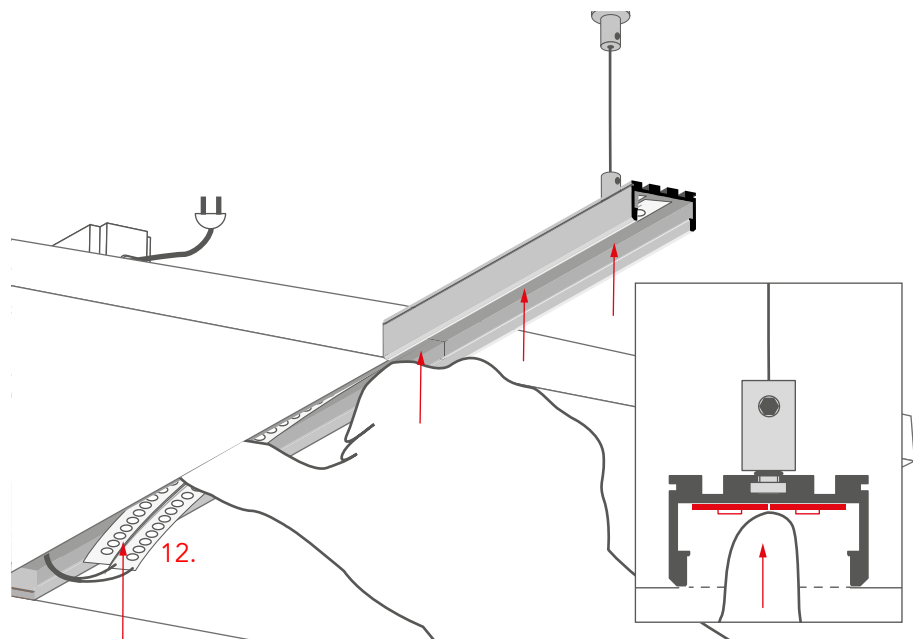
**3**

- Connect the ceiling fastener (10) and the profile fastener with the wire (11)
- For more information on suspension systems, please visit our website



**4**

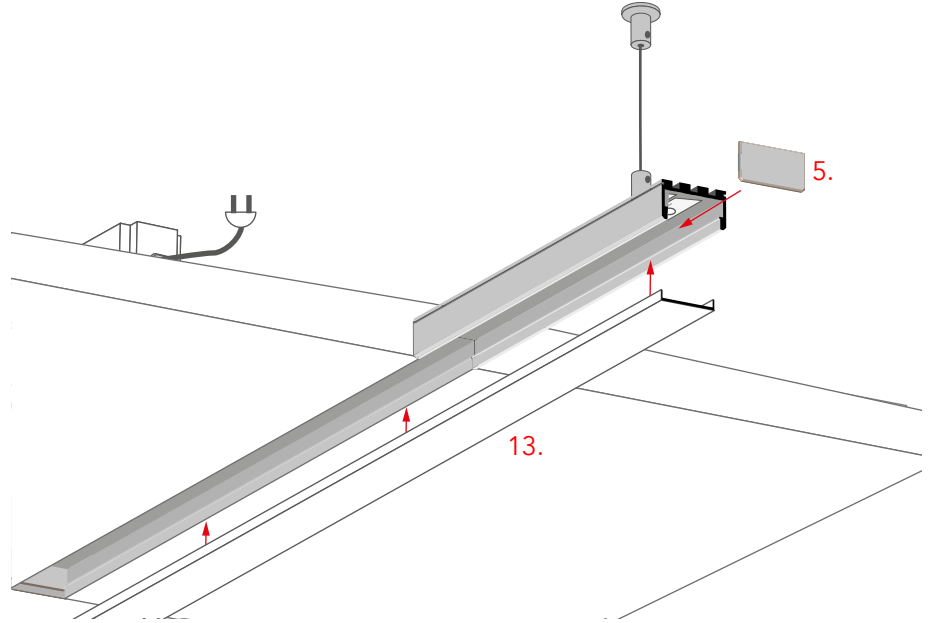
- Connect the LED tapes to the power supply
- Insert the LED tape (12) into the channel



## Mounting Instructions (Continued)

5

Attach the end cap (5) and the cover (13)





**Xicato Global Headquarters**

102 Cooper Court,  
Los Gatos, CA 95032

**Contact Us**

Tel: +1 866 223 8395  
info@xicato.com  
www.xicato.com

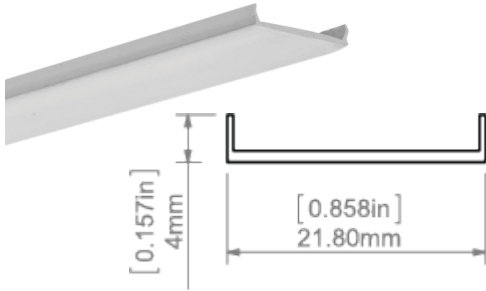
For the most up-to-date data sheet, please visit [xicato.com/support](http://xicato.com/support).

## Compatible Lenses

### XCC-L-PC-NL Protective Cover



0%



#### Description

Protective lens cover designed to protect the inside of a channel during construction or finishing work. Can be used multiple times. Made of PVC. No UV resistance.

SKU				
Product	Collection	Name Code	Surface Code	Length
XCC	L	PC	NL	1
				2

## Compatible End Caps

### XCC-E-SR14-NA-NC-STD



#### Description

Basic ABS end cap in gray. High resistance to damage. Will not corrode. Simple assembly. Aesthetically finishes the extrusion.

SKU			
Product Number	Material	Color	UV Resistant
XCC-E-SR14-NA-NC-STD	ABS	GREY	NO