














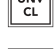






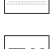





## LEGEND

	4-year warranty		Non-Anodized
	Restriction of Hazardous Substance		Silver Anodized
	Recessed		Black Anodized
	Bendable		White
	Closet-Rated		Focusing Lens with 100% light transmission
	IP22		Universal Clear Pro with 91% light transmission
	Static White		Universal Frosted Pro with 80% light transmission
	High Density		Universal Clear with 85% light transmission
	Full Spectrum		Universal Frosted with 70% light transmission
	Side Emitting		Extreme Clear with 89% light transmission
	Ultra Slim		Extreme Frosted with 70% light transmission
	Dim to Warm		In-Ground Frosted with 58% light transmission
	Tunable White		Ultra Slim Frosted with 70% light transmission

\*Most Xicato Channels are IP65 ready with proper sealant applied around the end caps to completely seal the XFL inside the channel.

Xicato designs and delivers one of the broadest portfolio spot and linear light sources and electronics that enable architects, designers and building managers to create beautiful, smart spaces in which people love to live and work. With thousands of installations around the globe, Xicato continues to be a leading supplier of high quality lighting solutions. Xicato is defining the future of intelligent light sources by integrating electronics, software and connectivity. Founded in 2007, Xicato has offices in China, Europe and the U.S., with it's headquarters based in Silicon Valley.



See legend on first page

## Product Description

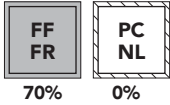
- Line of light in a shallow extrusion and flat cover
- Possibility of bending the extrusion
- Wide assortment of mounting accessories
- Designed to reach an IP67 waterproof rating

## Finish

Silver anodized

**SA**

## XCC-L Lenses\*



XCC-L-FF-FR  
XCC-L-PC-NL

## XCC-E End Caps\*

XCC-E-SR14-NA-NC-STD

## XCC-M Mountings\*

XCC-M-SR14-NA-V	XCC-M-X180-SA-XYZ
XCC-M-SR14-BK-V	XCC-M-SUSP-SA-SS
XCC-M-SR14-NA-AJ	XCC-M-DFH-BK-F1
XCC-M-SR14-NA-H1	XCC-M-DFH-NA-F1

## Internal Channel Dimensions

Height: 10mm  
Width for LED: 21.8mm

## Compatible XFL Products



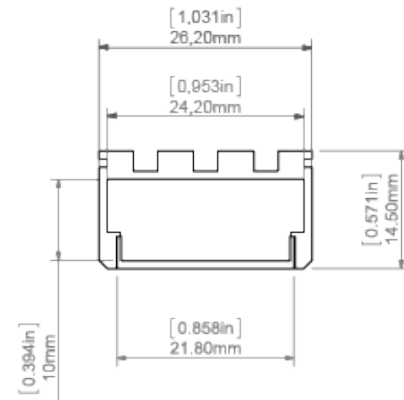
## SKU Information

Product	Collection	Name Code	Surface Code	Length
XCC	C	SR14	SA	1
				2
				3

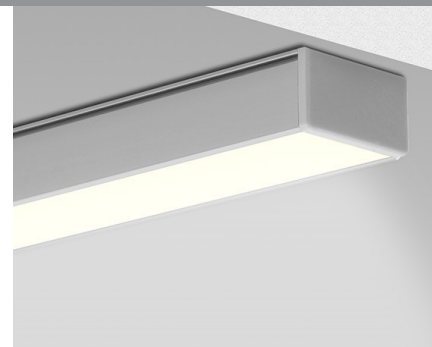
## Product Image



## Technical Drawing



## As Installed



\*For more detailed information please see Compatible Accessories guide

## Technical Specification

### Application:

- Construction of lighting fixtures for main or decorative lighting

### Mounting:

- Suitable for mounting on flat surfaces, suspending from corresponding fasteners, for attaching to mounting systems and for fixing with mounting springs, to ceilings with the corresponding mounting brackets.
- Compatible with channels dedicated to drywall panels.

### Additional information:

- Can be mounted in a groove made using a mounting extrusion
- A line of light obtainable with the corresponding cover and a LED strip with a minimum of 40 LEDs/foot (120LEDs/meter)
- This channel is designed for two or one 0.39" (10 mm) wide LED strips

## Extrusion Bending

Minimum Internal Radius	Minimum External Radius
250mm / 9.8"	350mm / 13.8"

- Minimum radius – bending radius which when exceeded causes destruction (deformation, bending or lack of compatibility with other accessories, e.g. covers, end caps, etc.) of the profile
- Internal radius – refers to the extrusion bent so that the cover is facing the inside of the arch
- External radius - refers to the extrusion bent so that the cover is facing the outside of the arch
- Irregular curves are possible after consultation and individual quotation
- When bending anodized extrusions, one should be aware of cracking of the anode coating (which may be more or less visible depending on the radius)
- Possibility of making a linear fixture with IP65 protection, which means the fixture is dust proof and
- Achieving IP67 is possible with the appropriate covers

## Note:

Turn off LED lights during peak day light hours in outdoor applications to avoid excessive heat buildup which will result in diminished LED life.

## Compatible Lenses

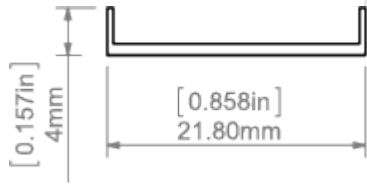
### XCC-L-FF-FR Flexible Frosted



70%

#### Description

Flexible lens cover with excellent diffusion properties and uniform cross-section. Recommended for bent channels. Made of polycarbonate. Increased UV resistance.



#### Compatible XCC-Channels

XCC-C-SR14-SA

#### SKU

Product	Collection	Name Code	Surface Code	Length
XCC	L	FF	FR	
				1
				2
				3

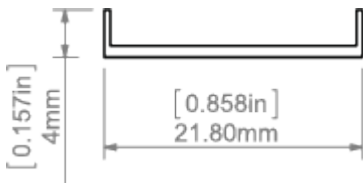
### XCC-L-PC-NL Protective Cover



0%

#### Description

Protective lens cover designed to protect the inside of a channel during construction or finishing work. Can be used multiple times. Made of PVC. No UV resistance.



#### Compatible XCC-Channels

XCC-C-SR14-SA

XCC-C-DWC-NA

#### SKU

Product	Collection	Name Code	Surface Code	Length
XCC	L	PC	NL	
				1
				2

## Compatible End Caps

### XCC-E-SR14-NA-NC-STD

#### Description

Basic ABS end cap in gray. High resistance to damage. Will not corrode. Simple assembly. Aesthetically finishes the extrusion.



#### SKU

Product Number	Material	Color	UV Resistant
XCC-E-SR14-NA-NC-STD	ABS	GREY	NO

## Compatible Mountings

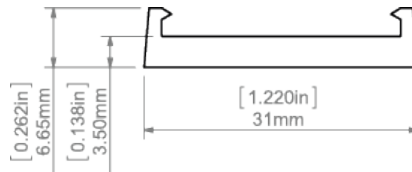
### XCC-M-SR14-NA-V



#### Description

A mounting bracket for mounting extrusions in the architectural group to the surface. It has a screw hole and "wings" acting as a holder for the fixture. Easy and reliable snap-in assembly.

SKU		
Product Number	Material	Color
XCC-M-SR14-NA-V	ABS	GRAY



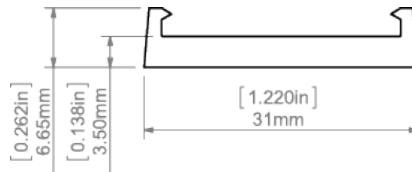
### XCC-M-SR14-BK-V



#### Description

A mounting bracket for mounting extrusions in the architectural group to the surface. It has a screw hole and "wings" acting as a holder for the fixture. Easy and reliable snap-in assembly.

SKU		
Product Number	Material	Color
XCC-M-SR14-BK-V	ABS	BLACK



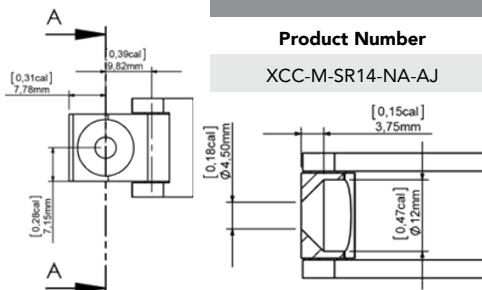
### XCC-M-SR14-NA-AJ



#### Description

A mounting bracket used for mounting extrusions in the architectural group to the surface which allows light angle adjustment of the lighting fixture. It has a screw hole in the base, concealed under a removable cover.

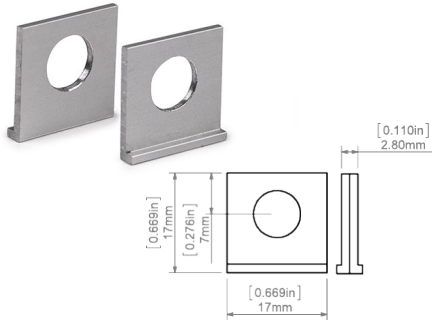
SKU		
Product Number	Material	Color
XCC-M-SR14-NA-AJ	ABS	GRAY



SECTION A-A

## Compatible Mountings (Continued)

### XCC-M-SR14-NA-H1



#### Description

The hanger consists of two pieces with holes. Both parts should be inserted into the guide (small lock) of the selected extrusion. After insertion, they form a hanger that can be used to suspend the lighting fixture, by pulling e.g. a steel cable through it.

SKU			
Product Number	Thickness	Material	Color
XCC-M-SR14-NA-H1	2.8mm	STEEL	STEEL GREY

### XCC-M-X180-SA-XYZ

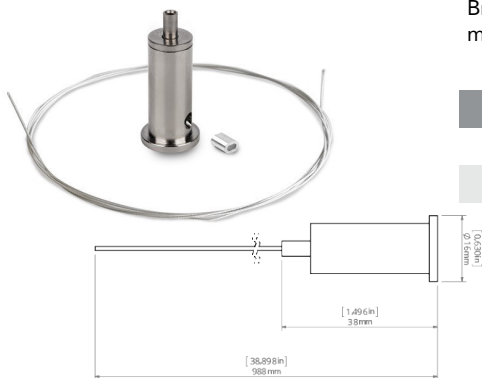


#### Description

Simple mounting bracket for straight and angular channels. Can be used for stabilizing channels combined into strings or polygonal arrangements.

SKU			
Product Number	Thickness	Material	Color
XCC-M-X180-SA-XYZ	1.2mm	STEEL	STEEL GREY

### XCC-M-SUSP-SA-SS



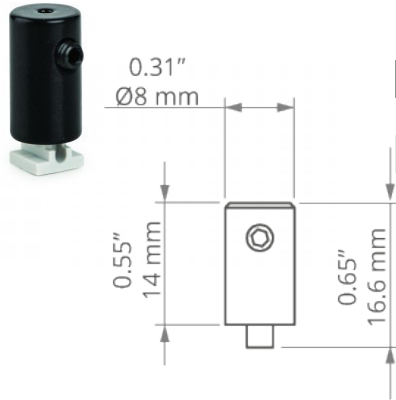
#### Description

Bracket for ceiling mounting with infinitely adjustable suspension height. Easy mounting, 1m wire included. Easy installation without tools.

SKU		
Product Number	Material	Color
XCC-M-SUSP-SA-SS	STEEL	STEEL GREY

## Compatible Mountings (Continued)

### XCC-M-DFH-BK-F1

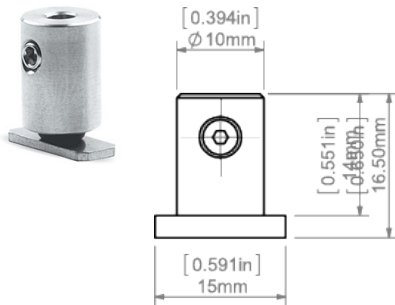


#### Description

Simple assembly for suspending small size lighting fixtures. Cable is locked in place with a pressure screw and a small lock on the back of the channel.

SKU			
Product Number	Cable Diameters	Material	Color
XCC-M-DFH-BK-F1	0.5mm - 1.5mm	STEEL	BLACK

### XCC-M-DFH-NA-F1



#### Description

Small size suited for miniature channels. Fastener can be quickly moved anywhere or set at any angle relative to the channel. Mounted to the surface with cables or rods.

SKU		
Product Number	Material	Color
XCC-M-DFH-NA-F1	STEEL	STEEL GRAY

## Required Parts



Extrusion (A)



End cap (B)



Cover (C)



LED strip (D)



Spring (E)



Isolating base (F)

## Required Tools

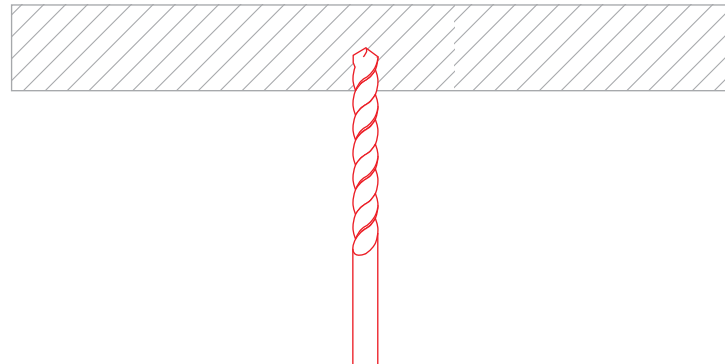
- Drill
- Screwdriver

## Important

- All LED strips should be connected to a 24 V power supply
- The mounting instructions present the basic form of assembly. More methods and related accessories can be found at [www.Xicato.com](http://www.Xicato.com)

## Mounting Instructions

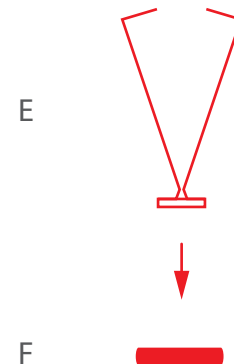
**1**



Drill holes (min.  $\varnothing$  10 mm) to mount the extrusion.

**2**

Insert the spring (E) into the isolating base (F).

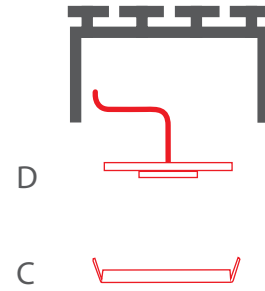




## Mounting Instructions (Continued)

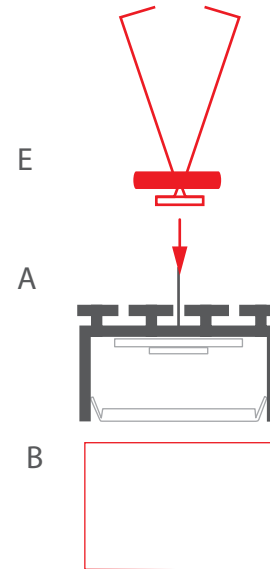
**3**

- Mount the LED strip (D), lead out the cable and insert the cover (C)
- The cable may run through a hole drilled in the extrusion or one in the end cap.



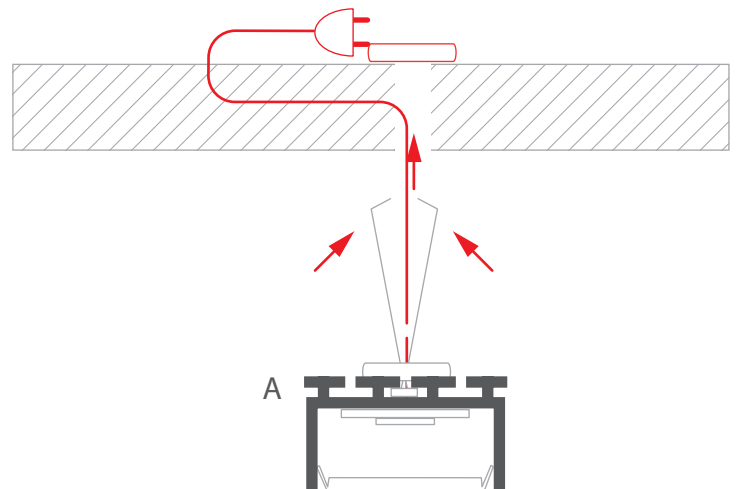
**4**

Slide the spring (E) into the extrusion (A). Insert the end cap.



**5**

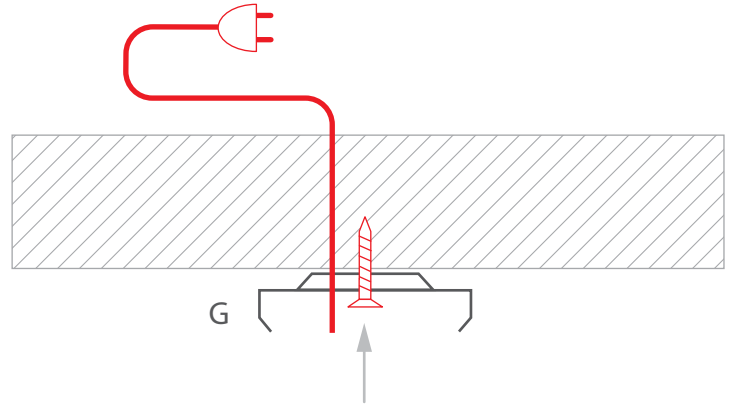
5. Connect power and insert the extrusion (A).



## Mounting Instructions With A Bracket

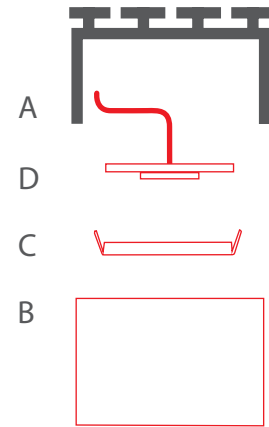
**1**

- Feed the power cable.
- Attach the mounting bracket (A) to the mounting surface with screws.



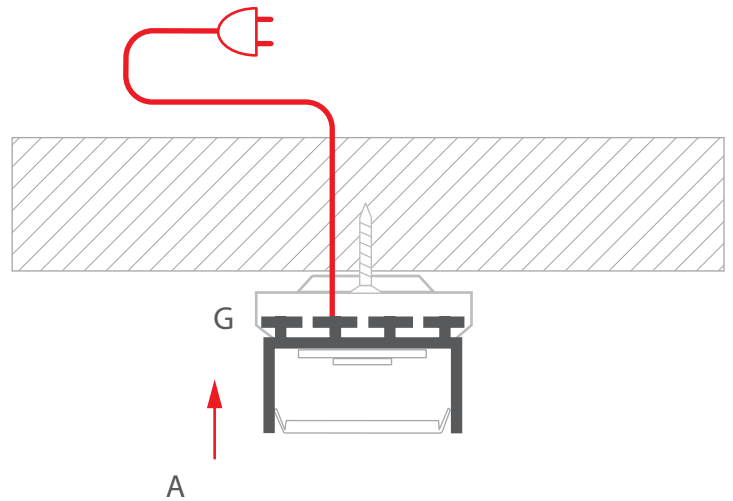
**2**

- Mount the LED strip (D) in the extrusion (A), lead the power cable, insert the cover (C) and the end caps (B)
- The cable can go through the hole in the extrusion or in the end cap.



**3**

- Connect power to the LED strip and mount the extrusion (A) in the mounting bracket (G)
- There are two ways to connect power: through a hole in the extrusion or through the end cap.





**Xicato Global Headquarters**

102 Cooper Court,  
Los Gatos, CA 95032

**Contact Us**

Tel: +1 866 223 8395  
info@xicato.com  
www.xicato.com

For the most up-to-date data sheet, please visit [xicato.com/support](http://xicato.com/support).

2022 Xicato, Inc. Product specifications are subject to change without notice. Xicato and the Xicato stylized logo design are registered trademarks of Xicato.