

LEGEND

	4-year warranty		Non-Anodized
	Restriction of Hazardous Substance		Silver Anodized
	Recessed		Black Anodized
	Bendable		White
	Closet-Rated		Focusing Lens with 100% light transmission
	IP22		Universal Clear Pro with 91% light transmission
	Static White		Universal Frosted Pro with 80% light transmission
	High Density		Universal Clear with 85% light transmission
	Full Spectrum		Universal Frosted with 70% light transmission
	Side Emitting		Extreme Clear with 89% light transmission
	Ultra Slim		Extreme Frosted with 70% light transmission
	Dim to Warm		In-Ground Frosted with 58% light transmission
	Tunable White		Ultra Slim Frosted with 70% light transmission

*Most Xicato Channels are IP65 ready with proper sealant applied around the end caps to completely seal the XFL inside the channel.

Xicato designs and delivers one of the broadest portfolio spot and linear light sources and electronics that enable architects, designers and building managers to create beautiful, smart spaces in which people love to live and work. With thousands of installations around the globe, Xicato continues to be a leading supplier of high quality lighting solutions. Xicato is defining the future of intelligent light sources by integrating electronics, software and connectivity. Founded in 2007, Xicato has offices in China, Europe and the U.S., with it's headquarters based in Silicon Valley.



See legend on first page

Product Description

- Super small - only 0.39" / 10mm wide
- Narrow line of light
- Designed to reach an IP67 waterproof rating

Finish

Silver anodized

SA

XCC-L Lenses*



70%

XCC-L-US-FR

XCC-E End Caps*

XCC-E-SLM-NA-NC-STD

Internal Channel Dimensions

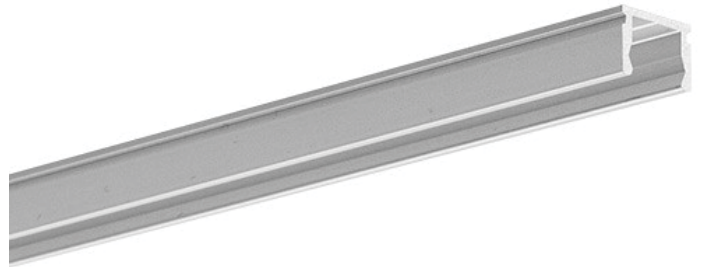
Height: 5mm

Width for LED: 7.2mm

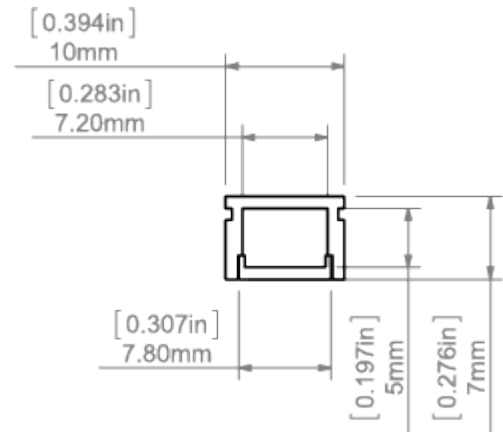
Compatible XFL Products



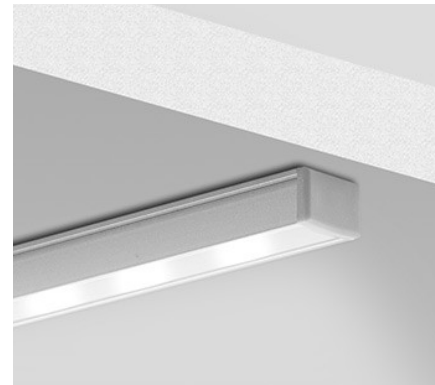
Product Image



Technical Drawing



As Installed



SKU Information

Product	Collection	Name Code	Surface Code	Length
XCC	C	USS	SA	1
				2

*For more detailed information please see Compatible Accessories guide

Technical Specification

Application:

- The extrusion is designed for use in gaps of various materials with small cross-sections.
- It can be mounted to the edge of thin planes, glass, plastics etc. used in the furniture, exhibition, etc.

Mounting:

- Designed to be mounted to the surface with screws or two-sided adhesive tape.

Additional information:

- The extrusion is suitable for bending into gentle curves, in the plane adjacent to the LED strip
- Fast and reliable installation of sealed LED strips (LED strip in a special silicone sleeve ensuring increased tightness).
- Ideal for use in bathrooms and other rooms with high humidity.
- Space for LED strip: 0.28" / 7.2 mm

Extrusion Bending

Minimum Internal Radius	Minimum External Radius
150mm / 5.9"	150mm / 5.9"

- Minimum radius – bending radius which when exceeded causes destruction (deformation, bending or lack of compatibility with other accessories, e.g. covers, end caps, etc.) of the profile
- Internal radius – refers to the extrusion bent so that the cover is facing the inside of the arch
- External radius - refers to the extrusion bent so that the cover is facing the outside of the arch
- Irregular curves are possible after consultation and individual quotation
- When bending anodized extrusions, one should be aware of cracking of the anode coating (which may be more or less visible depending on the radius)

Note:

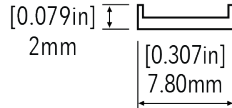
Turn off LED lights during peak day light hours in outdoor applications to avoid excessive heat buildup which will result in diminished LED life.

Compatible Lenses

XCC-L-US-FR Ultra Slim Frosted



70%



Description

Narrow cover that is compatible with the US Square channel and is UV resistant with good light diffusion. Transmits 70% light.

SKU				
Product	Collection	Name Code	Surface Code	Length
XCC	L	US	FR	1
				2

Compatible End Caps

XCC-E-SLM-NA-NC-STD



Description

Basic ABS end cap in gray. High resistance to damage. Will not corrode. Simple assembly. Aesthetically finishes the extrusion.

SKU			
Product Number	Material	Color	UV Resistant
XCC-E-SLM-NA-NC-STD	ABS	GREY	NO

Required Parts



Extrusion (A)



End caps (B)



Cover (C)



LED strip (D)

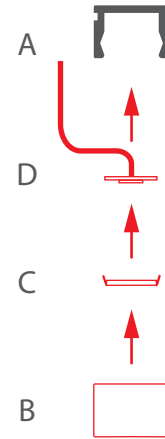
Important

- All LED strips should be connected to a 24 V power supply
- The mounting instructions present the basic form of assembly. More methods and related accessories can be found at www.Xicato.com

Mounting Instructions

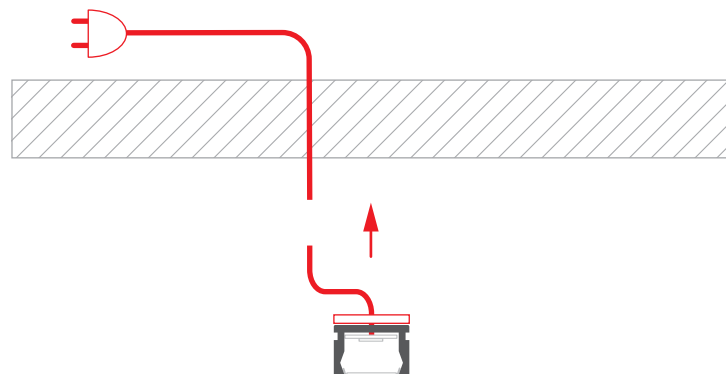
1

- Mount the LED strip (D), insert the cover (C), and then insert the end cap (B).
- Run the cable to the power source.



2

- Apply double-sided tape to the extrusion (A), and attach the extrusion to the surface.
- Connect power.





Xicato Global Headquarters

102 Cooper Court,
Los Gatos, CA 95032

Contact Us

Tel: +1 866 223 8395
info@xicato.com
www.xicato.com

For the most up-to-date data sheet, please visit xicato.com/support.