



XFL RGBW 4-Channel XFL Wet Location

Xicato designs and delivers one of the broadest portfolio spot and linear light sources and electronics that enable architects, designers and building managers to create beautiful, smart spaces in which people love to live and work. With thousands of installations around the globe, Xicato continues to be a leading supplier of high quality lighting solutions. Xicato is defining the future of intelligent light sources by integrating electronics, software and connectivity. Founded in 2007, Xicato's headquarters is based in Silicon Valley and the company has offices in China, Europe and the US.

xicato.com

WET
LOCATION

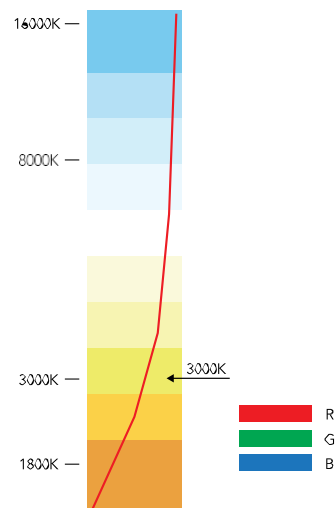
DC
ONLY

XFL Flexible Linear LED RGBW



Features

- Dynamic illumination effects with saturated colors, hues and white light
- 3000K white is CRI95
- 24V input, standard for simpler power design and selection
- Superior construction for higher reliability and heat management
- Advanced on-board circuitry for a 4-channel driver
- 5-year warranty
- Available in spools (XFL) or as custom finished tape (XFT) cut to a specified length with soldered lead wires



Spec Locks

| Spec Locks | Gold Plated PCB | CRI | R9 | Gamut | Fidelity | SDCM Steps | Max Run | Luminous Efficacy | Benefits |
|------------|-----------------|-----|----|-------|----------|------------|---------|-------------------|---|
| RGBW | | | | | | | | | Superior Construction, long lifespan Supported by Xicato Bluetooth® Mesh Control portfolio |

XFL SKU Builder / Ordering Part Number

Model Number is built as follows: XFL-AA-BBCC-DDD-EE-FFGG (applicable to all order codes listed below)

The orderable Xicato part numbers are built as follows:

Spools: XFL-AA-BBCC-DDDEE-FFGG-HHHHH

Custom Tape: XFT-AA-BBCC-DDDEE-FFGG

| | | | | | | | | | | | | | |
|-----------------|----|-------------|----|-----------|-------------|----|------------|-----------|----|-----------|-----------|----|-------------------------------|
| XFL | -- | RGBW | -- | 24 | 7.6 | -- | 192 | 67 | -- | 30 | 95 | -- | SP005 |
| | -- | RGBW | -- | 24 | | -- | 192 | 67 | -- | 30 | 95 | -- | |
| Product | | Collection | | Voltage | Watts/foot* | | LEDs/meter | IP Rating | | CCT | CRI | | Spool Length (m)** |
| XFL (Spools) | | | | | | | | | | | | | 5 |
| XFT (Custom) | | | | | | | | | | | | | 10 |
| | | | | | | | | | | | | | Blank*** (XFT Custom tape) |

* 1 Watt/foot = 3.28 Watts/meter

** 5m Spool Length = 16.4 feet

*** This field is left blank for XFT order codes. Contact your Xicato Sales Representative to define the specific custom configuration for LED tape and soldered lead wires. The detailed configuration description will be provided with the quote and order confirmation

XFT Custom Tape Options

Contact your Xicato Sales representative to define and order your specific custom configuration

LED Tape

| | LED Tape Cut to Length |
|--------|--|
| Length | Min: 3" Max: Max run length (page 4) Available in increments of cuttable length (page 4) |

Input Lead Wire

| | 22 AWG UL2464 Lead Wire Only |
|--------------|---|
| Length | Min: 3" Max: 96" Available in 1" increments |
| Jacket Color | Black or White |

Optional Output Lead Wire

| | 22 AWG UL2464 Lead Wire Only |
|--------------|---|
| Length | Min: 3" Max: 96" Available in 1" increments |
| Jacket Color | Black or White |

Specifications

| Part | Light Color | Color Temperature/ Wavelength | Typical Luminous Flux lm/m (lm/ft) | Ra | Efficacy (W/m) | Power W/m (W/ft) |
|---------------------------|-------------|----------------------------------|---------------------------------------|-----|-------------------|---------------------|
| XFL-RGBW-247.6-19267-3095 | W | 3000K | 681 (208) | 90+ | 88 | 8 (2.4) |
| | R | 620-630nm | 161 (49) | -- | 28 | 6 (1.8) |
| | G | 515-530nm | 368 (112) | -- | 62 | 6 (1.8) |
| | B | 460-470nm | 83 (25) | -- | 14 | 6 (1.8) |
| | RGB | 10000K | 566 (173) | -- | 31 | 17 (5.2) |
| | RGB+W | 8000K | 1148 (350) | -- | 44 | 25 (7.6) |

Other Parameters

| Part | LEDs/m | Width | Max Run Length | Min Cut Length | Working Temperature | Storage Temperature | Beam Angle | Voltage |
|---------------------------|--------|----------------|-------------------|-------------------|------------------------|------------------------|---------------|---------|
| XFL-RGBW-247.6-19267-3095 | 192 | 14.4mm (0.57") | 3m (9.84') | 62.5mm (2.46") | -20~+60°C | -20~+70°C | 120° | 24VDC |

Note:

1. Test environment temperature : 25±2°C.
2. Values above represent typical performance.
3. Luminous flux is for each color.
4. Luminous efficiency is a measured value.
5. Max run length is in reference to a single feed.
6. Max run length refers to operating length at UL class II @100W, 24V.
7. The luminous flux and power are listed within ±10%.

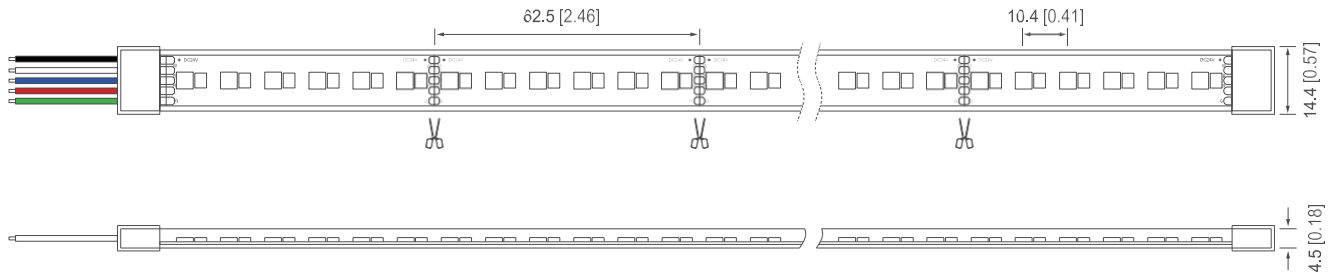
Operating Length vs Electrical Parameters

| XFL-RGBW-247.6-19267-3095 Parameters | Operating Length, Single Feed (m) | | |
|---|-----------------------------------|-------|-------|
| | 1 | 2 | 3 |
| Operating Voltage (DC V) | 24.0 | 24.0 | 24.0 |
| Total Current (A) | 0.98 | 2.04 | 2.88 |
| Total Power (W) | 23.52 | 48.96 | 69.12 |
| Head voltage (V) | 23.86 | 23.82 | 23.78 |
| Tail voltage (V) | 23.12 | 22.83 | 22.48 |
| Head Current (mA) | 63.60 | 63.40 | 63.10 |
| Tail Current (mA) | 61.20 | 57.10 | 50.90 |
| Head-to-tail Voltage Drop Rate(%) | 3.10 | 4.16 | 5.47 |
| Head-to-tail Current Drop Rate(%) | 3.77 | 9.94 | 19.33 |

Note:

Recommended to use 18AWG parallel wire/sheathed cable in single feed, or 20AWG wire/sheathed cable at both ends for parallel layout, with wire length less than 20cm. Users need to reduce the max run appropriately when the wire length more than 20cm.

Profile Drawing



Units: mm (inches)

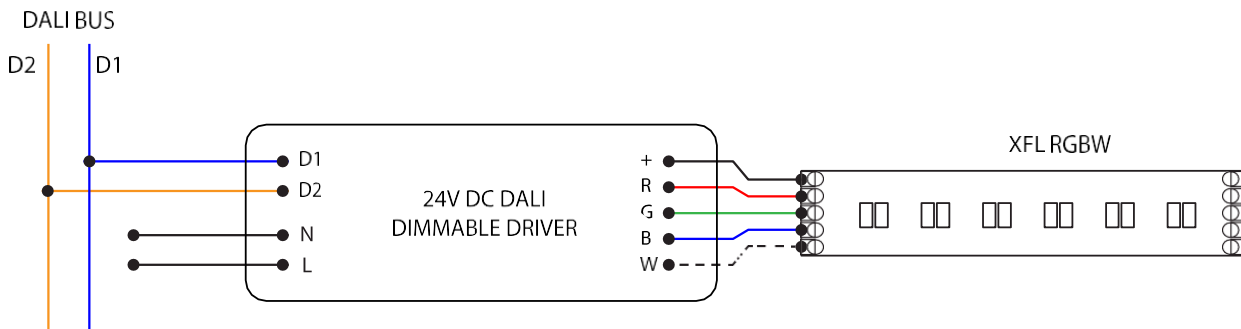


- "A" joint pad size 2.25mm
- "B" joint pad size 3mm
- "A" joints are 62.5mm apart
- "B" joints are 500mm apart
- 11 x "B" joints in a spool of 5m
- Cutting is advised along "A" joints, not "B" joints

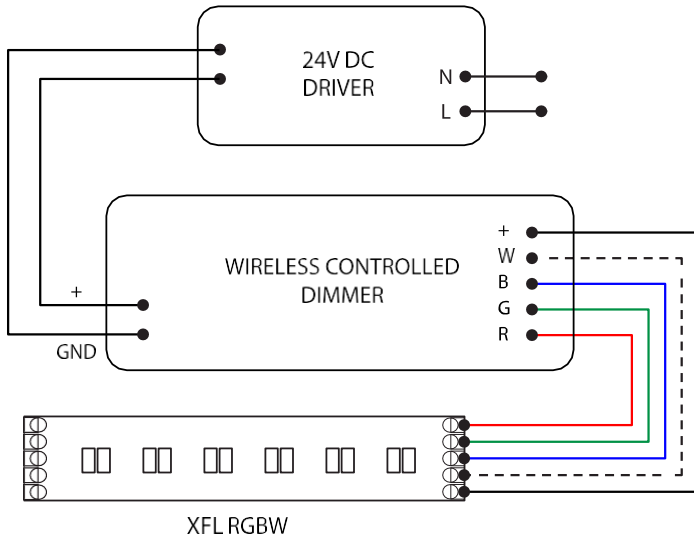
Max Bending Radius: $R_{min} = 20mm$



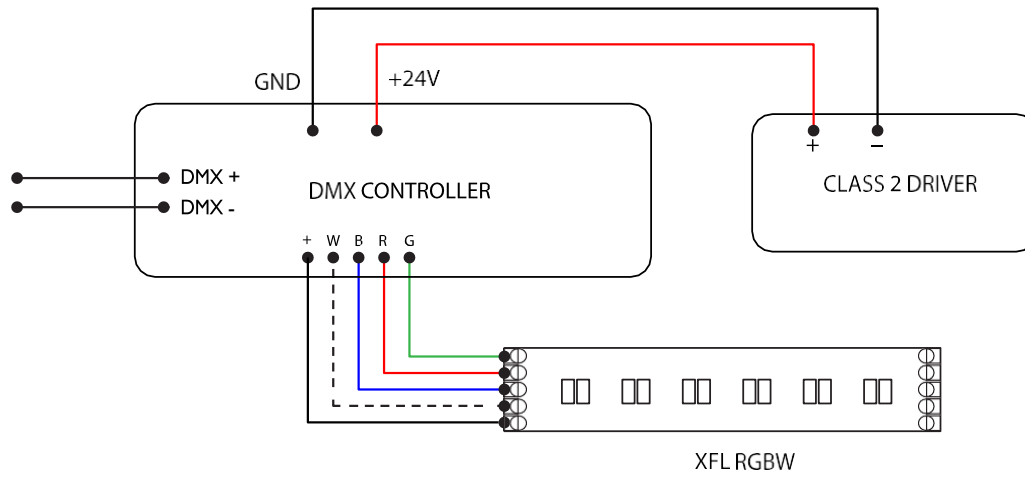
DALI Wiring Diagram



Wired + Wireless Option

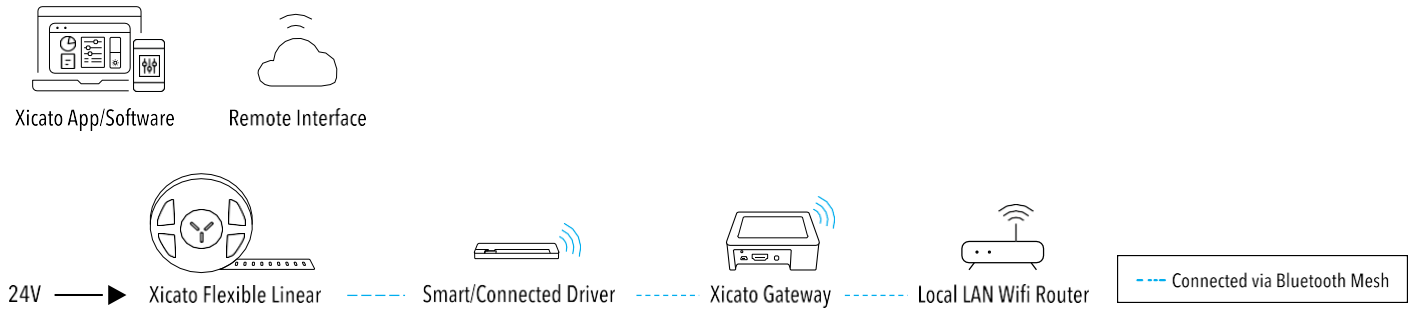


DMX Wiring Diagram



Xicato Controls and Integration

The XFL Portfolio is part of Xicato’s comprehensive end-to-end systems, energizing environments through brilliant lighting and Smart Controls.



Connectors

For a complete list of connectors, please visit xicato.com/xfl.

Aluminum Channels

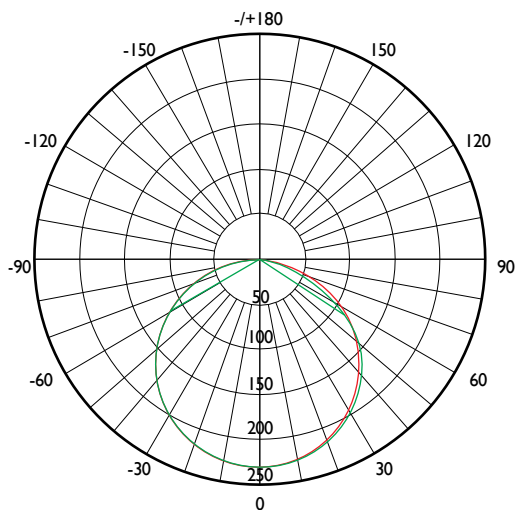
For a complete list of commonly used profiles with this product, please visit xicato.com/xfl.

Installation

Affix with 3M self adhesive tape. 3M tape is included with XFL.

Visit xicato.com/support to download XFL Flexible Linear LED Installation Instructions for Dry Location Linear Lighting.

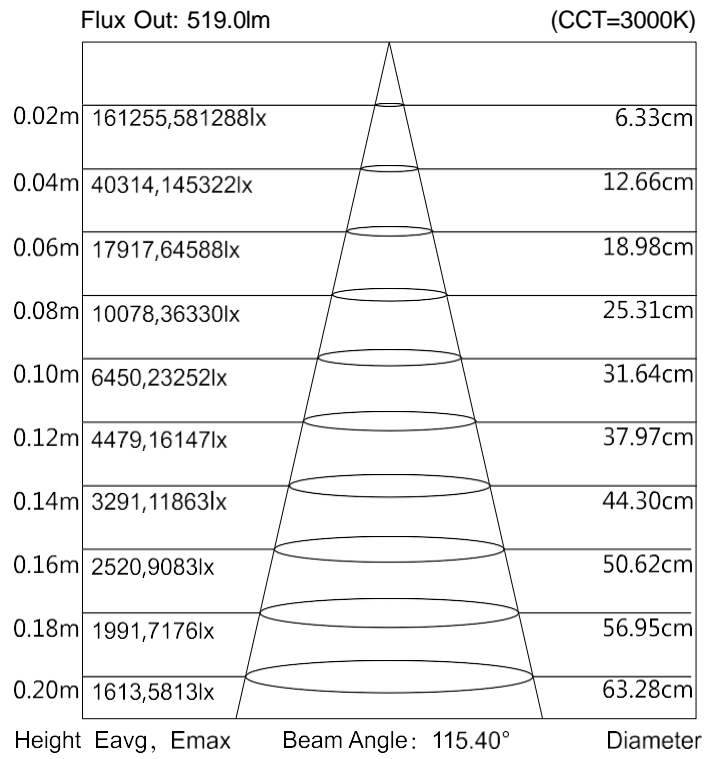
Polar Luminous Intensity Diagram



AVERAGE BEAM ANGLE(50%): 115.5°

- Unit: cd
- C0/180, 115.7°
- C90/270, 115.4°

Illuminance Cone Diagram



Note:

The above two figures are tested with the sample at 3000K.

Warning

1. This product should be installed and serviced in accordance with local and national electrical code regulations by a qualified, licensed electrician. If you are unclear as to how to install and wire this product, contact a qualified professional.
2. Tape light should only be powered by a UL Listed Class 2 DC 24V power supply.
3. Always disconnect the power supply before cutting or connecting tape light. Never attempt any work before shutting off the electricity.
4. Do not exceed maximum tape light run length. Series connections must be within the maximum run length.
5. LED tape light is designed to be cut at designated cut points only. Cutting anywhere other than the cut points will result in damage to the tape light.
6. Do not stare directly into LED lights when illuminated.
7. Do not power LED tape while coiled on reel.
8. Adhere tape to a clean, dry mounting surface free of oils, silicones and dirt particles. If surface is electrically conductive, isolation between soldering points and mounting surface is necessary.
9. Do not install LED tape in a location with direct exposure to the sun or where the ambient temperature is outside the listed temperature range of the product.
10. Prior to installation, verify all components (LED tape, driver, control, & accessories) are compatible. Configure and pretest your LED system prior to installation to ensure all components are operating correctly.
11. Unused product should be properly placed and stored in an anti static bag
12. Failure to follow safety warnings, and installation instructions will void the warranty for this product.

Consumer Acknowledgment

Xicato, Inc. stands behind its products when they are used in accordance with our specifications. When purchasing Xicato products, the customer agrees and acknowledges that design, configuration and installation are complex processes not managed by Xicato, and minor changes or errors in layout and infield adjustments may have a significant impact. Choosing correct components is critical. Xicato will work with the original purchaser to make product selections to the extent of the limited information that the customer provides, but Xicato cannot design a system that anticipates all unknown factors. For this reason, our Warranty does not cover problems caused by improper design, configuration or installation issues. Xicato strongly recommends that licensed professionals be used in the design and installation of any lighting systems with Xicato products. The specifications include important information that should be reviewed and followed.

Please read our full Terms and Conditions to understand what is covered by Xicato's official warranty.

Regulatory Information

Electrical Safety & Handling

| | |
|--------------|---------------------------|
| CE | IEC 62031:2008 |
| UL | UL 8750 Cert E499492 |
| Model | XFL-RGBW-24-22-X |
| Type | XFL-RGBW-24aa-bb22-Xcc-dd |

Warranty

| | |
|--------------------------|--------|
| Warranty Duration | 5 year |
|--------------------------|--------|





Xicato Global Headquarters

102 Cooper Court,
Los Gatos, CA 95032

Contact Us

Tel: +1 866 223 8395
info@xicato.com

For the most up-to-date data sheet, please visit xicato.com/support.

2022 Xicato, Inc. Product specifications are subject to change without notice. Xicato and the Xicato stylized logo design are registered trademarks of Xicato.