



# Retrofit / New Construction / IC Installation For Xicato XDL Downlights



## IMPORTANT SAFEGUARDS

### READ AND FOLLOW ALL SAFETY INSTRUCTIONS

When using electrical equipment, basic safety precautions should always be followed including the following:

#### ELECTRICAL SAFETY

**WARNING:** Risk of Electric Shock. Disconnect power at the fuse or circuit breaker before installing or servicing.

**WARNING:** Risk of fire or electric shock. This product installation requires knowledge of luminaires electrical systems. Installation should be performed only by a qualified electrician in accordance with the National Electrical Code and local building codes.

**WARNING:** Risk of fire or electric shock. ONLY install this product in ceilings that have the construction features and dimensions shown in the product documents and/or drawings.

**WARNING:** Risk of fire or electric shock. Do not make or alter any open holes in an enclosure of wiring or electrical components. Only those open holes indicated in the photographs and/or drawings may be used during installation. Modifications may also invalidate warranty and render product unsafe to use.

**WARNING:** Risk of electric shock. To prevent wiring damage or abrasion, do not expose wiring to edges of sheet metal or other sharp objects.

**WARNING:** Risk of Electric Shock. Do not use or proceed with installation when enclosure is broken.

**WARNING:** Risk of fire and burns. Do not install this lighting system where the exposed bare conductors can be shorted or contact any conductive materials.

**WARNING:** Risk of fire and overheating. Make sure all connections are tight.

**CAUTION:** Do not use abrasive materials, glass cleaners or other solvents on cover plate or lens. Use of these substances may cause the damage to the product. For cleaning purpose, use a mild soap solution.

**CAUTION:** Do not conceal or extend exposed conductors through a building wall.

## SAVE THESE INSTRUCTIONS

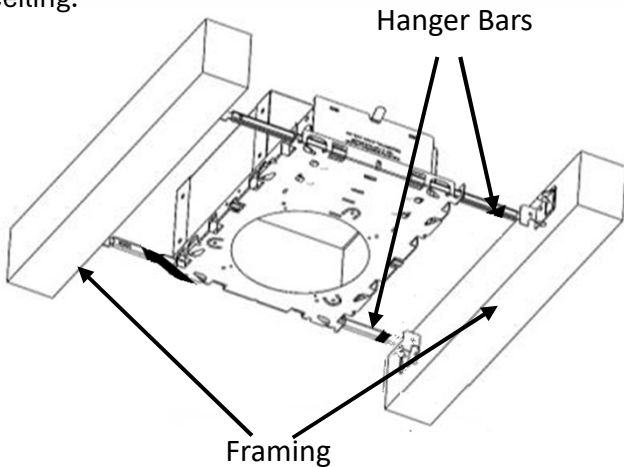
# Installation – IC Box



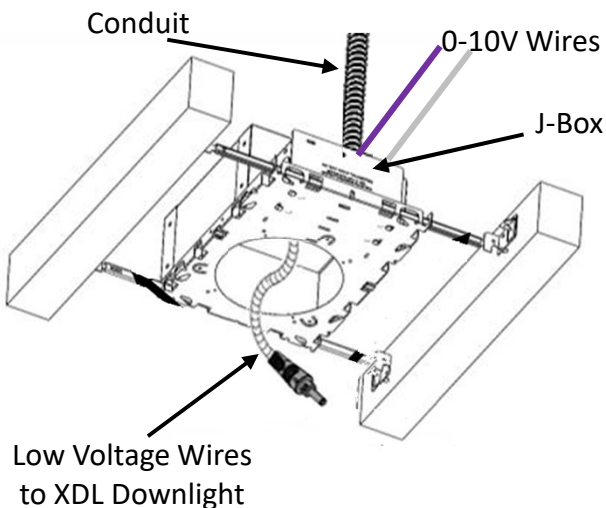
## Please Note:

- Images are for representations only. Actual products may vary slightly.
- Do not conceal or extend exposed conductors through a building wall.
- Do not install the system in wet locations.
- To reduce the risk of fire and burns, do not install this lighting system where the exposed bare conductors can be shorted or contact any conductive materials.
- To reduce the risk of fire and overheating, make sure all connections are tight.
- Do not modify product. If modifications are made, they will invalidate warranty and render the product unsafe.

1. Install IC Rated Box using hanger bars above the ceiling.

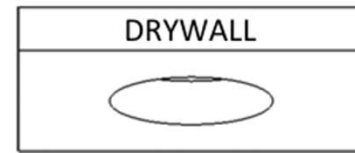


2. Remove the cover for the junction box attached to the IC housing and determine which knock-out(s) to remove for making a conduit connection. Feed the conduit into the J-Box and connect the AC power line to the driver power feed in the J-Box (Black or Brown wire for Live, White or Blue for Neutral, Green for earth Ground). Connect the purple and gray control wires to the appropriate (0-10V or DALI) controls.



**Note: The 0-10V control wires will be in a separate compartment in the junction box and must not be collocated with Class 1 AC wiring.**

3. Cut a hole in the ceiling corresponding to the shape and location of the product being installed. Please reference XDL product spec sheet or XDL Downlight Installation sheet for guidance.



4. Attach drywall ceiling and finish. Pull the low voltage wire through the opening to ensure it is accessible for installation of the XDL Downlight.



Low Voltage Wiring to XDL Downlight

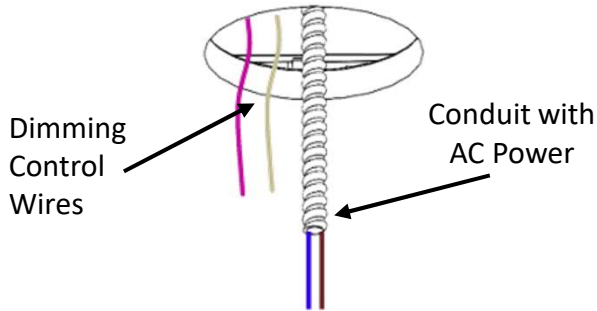
# Installation – NC and Retrofit



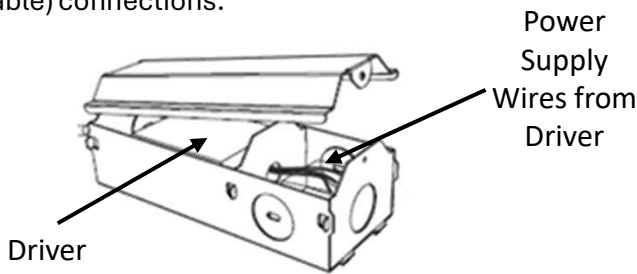
## Please Note:

- Images are for representations only. Actual products may vary slightly.

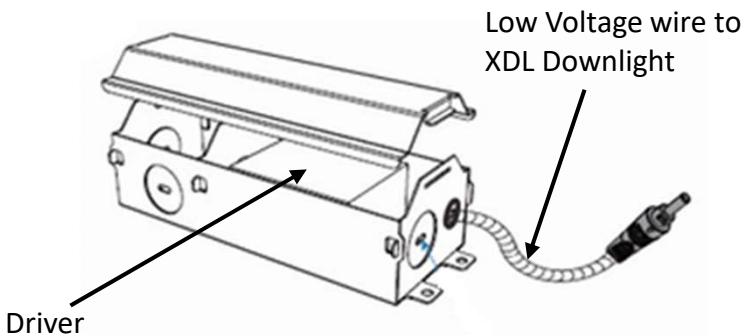
1. Cut a hole in the ceiling corresponding to the shape the product being installed. Please reference XDL product spec sheet or XDL Downlight Installation sheet for guidance. For retrofit, make sure the conduit and dimming control wires (if applicable) hang out slightly from opening.



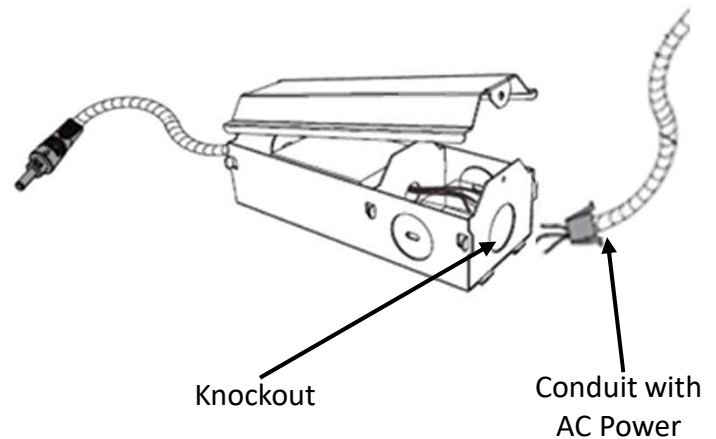
2. Open the driver box and determine which knock-out(s) to remove for making AC power and DALI control (if applicable) connections.



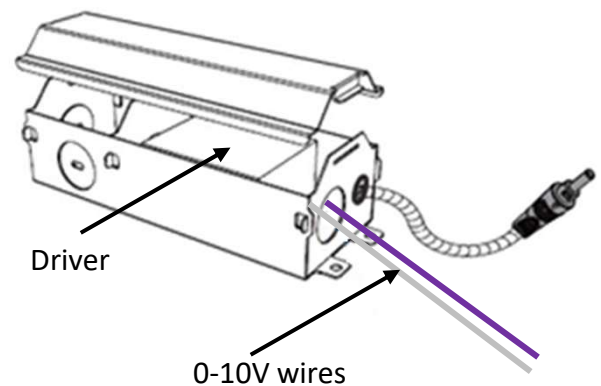
3. If the low voltage wire for the XDL downlight has been shipped with the wire inside the driver box, feed the low voltage wire out of the driver box through the grommeted knockout.



4. Feed the conduit/power line into the driver box with an appropriate strain relief and connect the AC power line to the driver power feed in the driver box (Black or Brown wire for Live, White or Blue for Neutral, Green for earth Ground). If DALI controls are being used connect DALI control wires through appropriate strain relief and connect to DALI (purple and gray) control wires.



5. If using a 0-10V controls, connect the wires (purple and gray) to the driver through the grommeted knockout and install cover on the driver box.



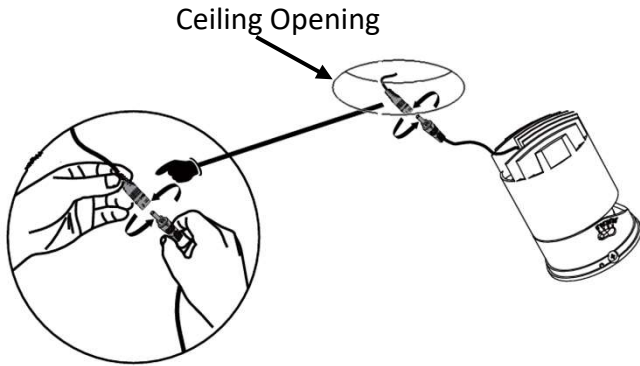
**Note: The 0-10V control wires must not be collocated with Class 1 AC wiring.**

# Installation – Downlight

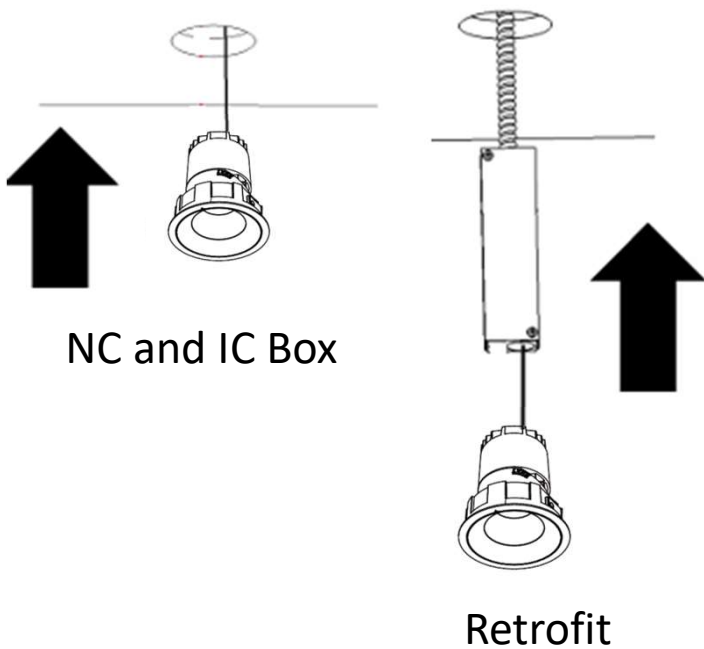
**Please Note:**

- Images are for representations only. Actual products may vary slightly.

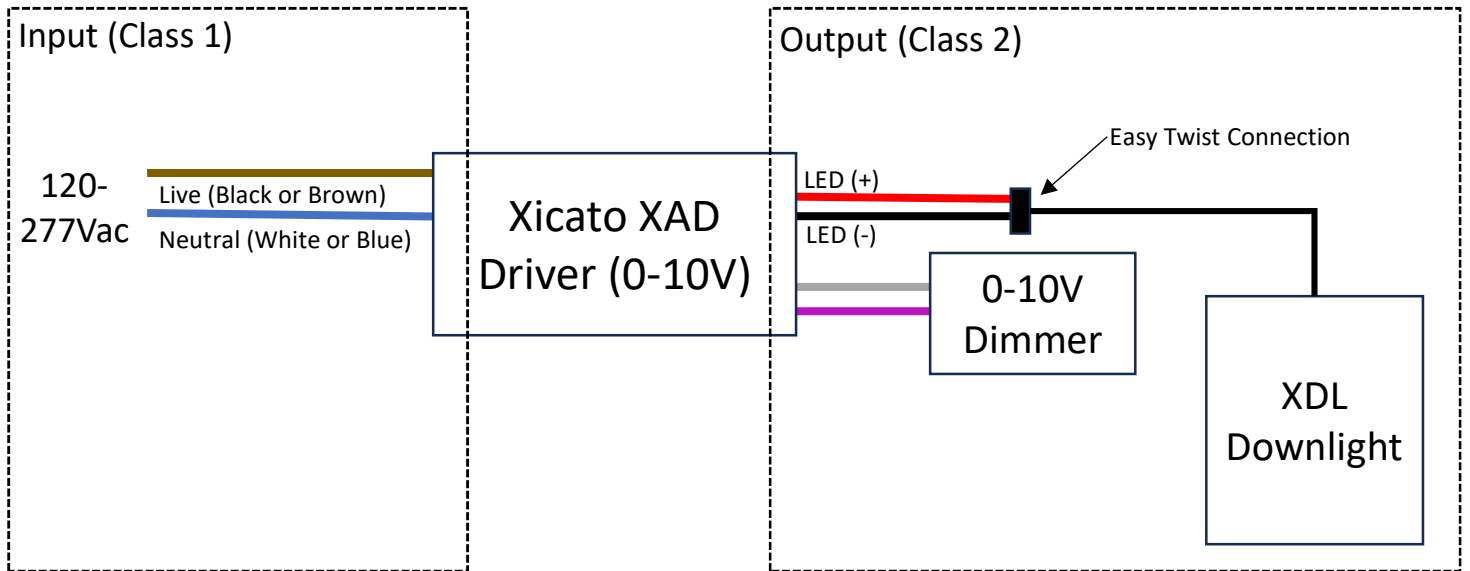
1. Connect the Low Voltage wires from driver to XDL Downlight with the easy twist connector.



2. Push XDL Downlight (with Retrofit Driver Box) into Ceiling.



## 0-10V Wiring



## DALI Wiring

